



MULTI BANK LOCKER ASSEMBLY & WALL MOUNTING

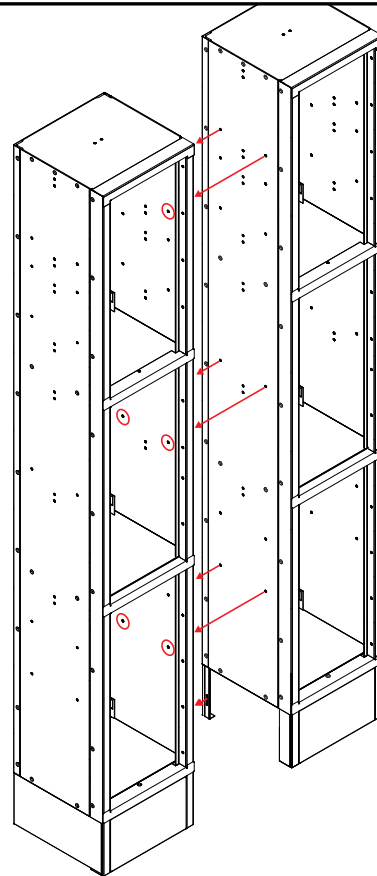
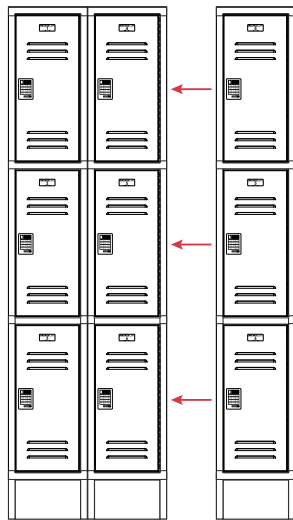
Note: Image is for demonstration purposes, the illustrated locker model below may differ.

MULTI BANK LOCKER ASSEMBLY

- 1) Place 2 single wide lockers side-by-side on a level surface
- 2) Use the available corresponding hardware openings to join two or more single bank lockers as indicated below.

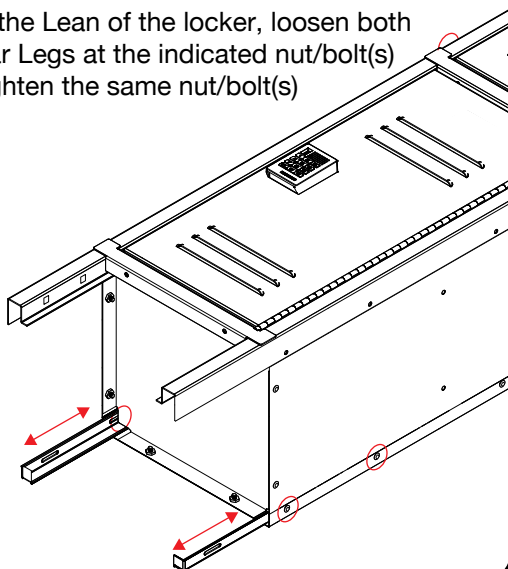
Note: Depending on the model or number of shelves the available holes may vary.

- 3) Repeat steps 1-2 for each additional bank of locker(s).



Rear Leg Level Adjustment

- A) To adjust the Tilt of the locker, loosen one of the Rear Leg at the indicated nut/bolt(s) then re-tighten the same nut/bolt(s)
- B) To adjust the Lean of the locker, loosen both of the Rear Legs at the indicated nut/bolt(s) then re-tighten the same nut/bolt(s)



SECURING LOCKER TO WALL

Use any available Back Panel openings to secure the locker(s) to the wall.

