

OCS
TOUCH LOCK





OCS TOUCH LOCK LOCKING SOLUTIONS FOR LOCKERS

- A RELIABLE KEYLESS LOCKING SYSTEM ?
- ABILITY TO CUSTOMIZE THE LOCK TO AUTOMATICALLY OPEN AFTER A SET AMOUNT OF TIME OR AT A SPECIFIC TIME OF THE DAY?
- A LOW MAINTENANCE SOLUTION?
- EXTRA LONG BATTERY LIFE?
- RESISTANCE TO HUMIDITY, WEAR AND TEAR AND CONTINUOUS HIGH TRAFFIC USE?
- CERTIFIED QUALITY?
- COMFORT AND SECURITY FOR YOUR CUSTOMERS?

If these are the characteristics you're after, the OCS Touch lock is the right choice for you.

Technology and design come together in this easy to use lock. Available in 2 different footprints, as temporary use or rental locks the OCS.Touch Lock is the ideal solution.

MAIN FEATURES

- Touch technology, no membrane keypad
- Available as temporary or rental lock
- Available in black or white finish
- 2 different footprints available
- Dry or wet area use versions available
- Selectable user code length: 4, 5 or 6 digits
- LED in 3 colors for lock status (green, red, amber)
- Flashing led in order to show locked status
- Automatic opening (via software)
- Time-delay opening; i.e 3 hours after locking the lock (via Software)
- Low battery warning and detection.
- Emergency opening
- Contactless Programming key with USB port for PC connection
- Contactless communication interface between Master key and lock



OCS TOUCH LOCK
White finish
E - 17,5 Footprint
temporary use

OCS TOUCH LOCK E - 17,5 Footprint

A compact version for both new and retrofit projects.



E-17,5 TEMPORARY USE

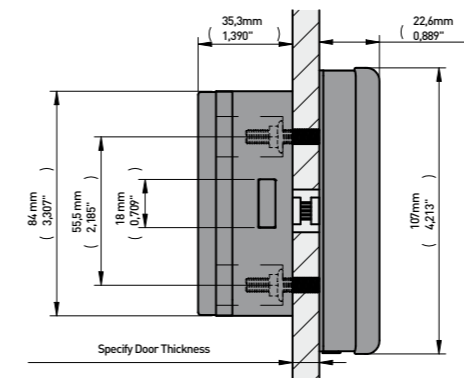


E-17,5 RENTAL

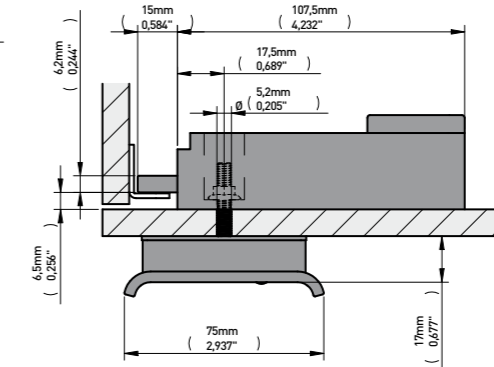
DRAWINGS & CUT SHEETS

OCS TOUCH LOCK_E-17,5 TEMPORARY USE

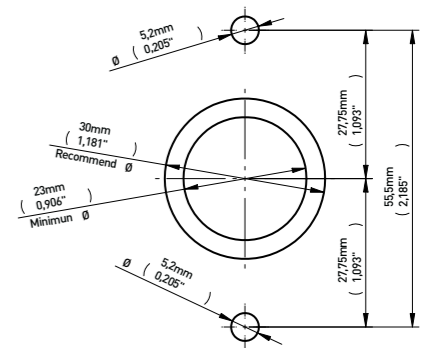
•)) slide view



top view

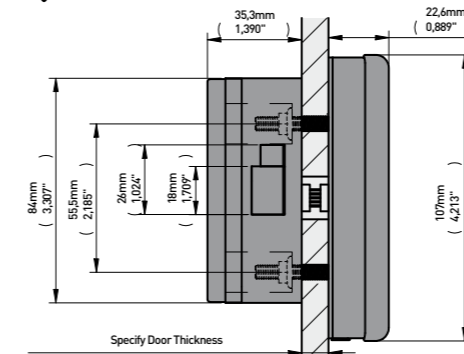


FOOTPRINT

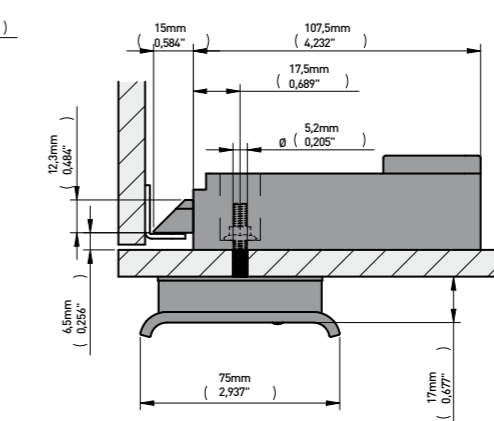


OCS TOUCH LOCK_E-17,5 RENTAL

•)) slide view



top view



When placing the order please specify:

- Right or left hand locker doors
- Black or white finish
- Locker door thickness
- Dry or wet area use



OCS TOUCH LOCK
Black finish
E - 30 Footprint
rental locker

OCS TOUCH LOCK E - 30 Footprint

Footprint compatible with previous OCS versions as well as for retrofitting the popular OJMAR coin operated lock (2 extra through-holes required).

Coin and Card operated version available as an option to prevent locker reservations (1 € as a standard, please contact Ojmar for different coinage).

*Card option available previous consultation with Ojmar.

(*) Note: The card operated OCS is valid for ISO 7810 white cards only.



COIN OPERATION

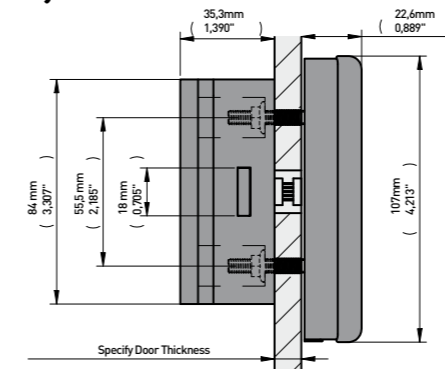


CARD OPERATION

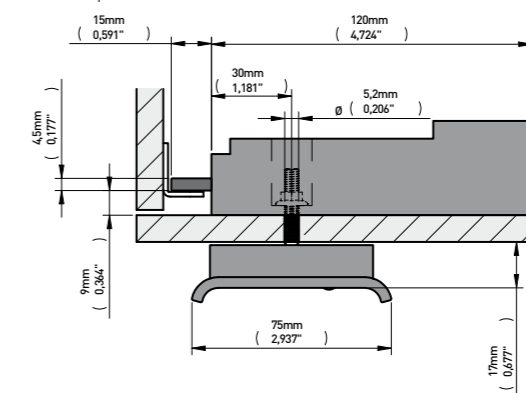
DRAWINGS & CUT SHEETS

OCS TOUCH LOCK_E-30 TEMPORARY USE

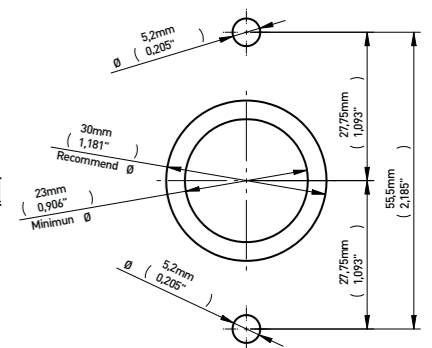
1) slide view



top view

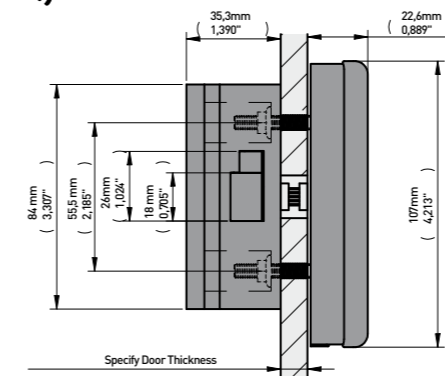


FOOTPRINT

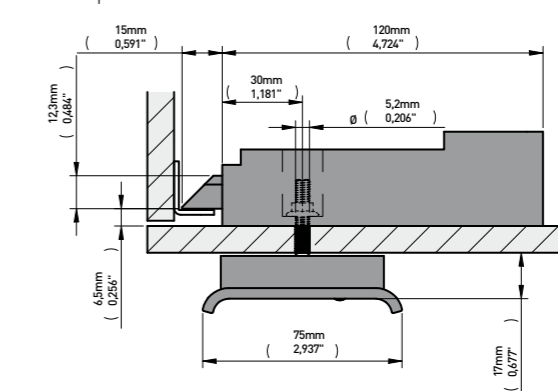


OCS TOUCH LOCK_E-30 RENTAL

1) slide view



top view



When placing the order please specify:

- Right or left hand locker doors
- Black or white finish
- Locker door thickness
- Dry or wet area use
- Coin operated option

SYSTEM COMPONENTS



CONTACTLESS KEY

Each Site can have the option to have a Super Master Code to open any lock in lieu of using a Master Key. The Master Key can be stand alone to open and close lockers by management, or it can allow each facility to expand the customization and options available using the OCS Lock System when integrated with the OCS Software. Lockers can be opened and closed by management without disturbing the user's code.

STAND ALONE OPERATION

The contactless key operates as a master key in an unlimited number of lockers.

INTEGRATED WITH SOFTWARE

As well as master key the key can be set as a Programming Key to facilitate the following functions:

1. PROGRAMMING KEY

Customize the OCS Lock according to the specific facility needs. IE: rental periods, automatic opening, LED On/Off etc.

2. MASTER / SERVICE KEY

Resetting master codes in case of staff leaving for additional security

3. USER KEY

Can be used as an ADA User Key.

4. EVENTS KEY

Download the Audit Trail and Events at the Lock level with date time as well as the last used code.



SYSTEM COMPONENTS



SOFTWARE

User friendly and intuitive, the optional software will let you manage your site along with the wireless key.

SYSTEM REQUIREMENTS:

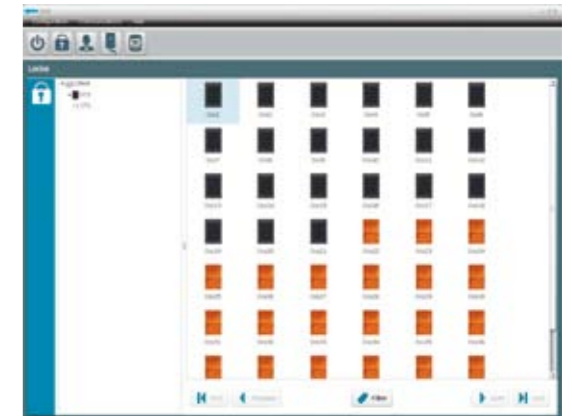
- Windows 2000, Vista, XP or Windows 7
- Processor: Pentium II or Superior
- RAM Memory: 78 MB
- Hard Drive free space: 60 MB
- Adobe AIR and Adobe Reader installed
- NET framework 2.0 installed
- DVD/CD ROM reader
- USB port

MAIN CHARACTERISTICS

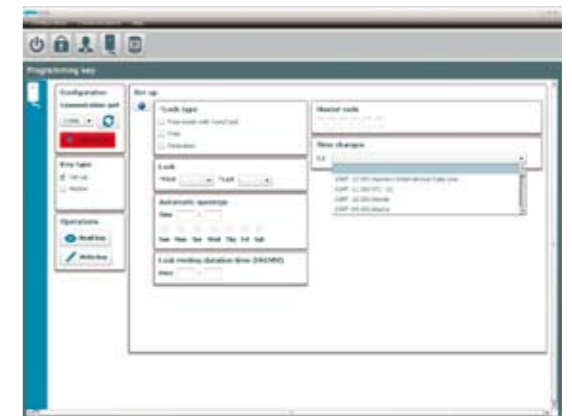
- Management Up to 64.000 locks.
- Language options: Spanish, English, French and German.
- Over 100 different time zones.
- Possibility to have automatic Lock opening.
- User's password protective.
- Help Guide included starting a new facility.
- Synchronized with PC's clock.

INSTALLATION CONTROL TOOLS

- Key configuration to program Locks.
- Key configuration to use it as a Master Key.
- Possibility to personalize key for Club Members (User Key).
- 15 minute locker rental option.
- Possibility to modify Lock's Led Status.
- Possibility to modify length digit user code (4, 5 or 6 digits).
- Locks Events reading (up to 50 each time).
- Data Base of the Locks created.



LOCK MANAGEMENT



PROGRAMMING KEY

TECHNICAL SPECIFICATIONS

OCS TOUCH LOCK

SPECIFICATIONS

POWER SUPPLY	4 Alkaline 1,5v AA batteries
TEMPERATURE RANGE (FUNCTIONAL)	-10° a +50°
BATTERY LIFETIME	2 years under normal conditions
LGA CERTIFICATION	Cam resistance: 1200 N
PROTECTION AGAINST SOLID AND LIQUID BODIES	Wet area version: IP55 Dry area version: IP52
PROTECTION AGAINST MECHANICAL IMPACT	IK09

DIMENSIONS

Front part	75x107x22
Rear E-30	120x84x36
Rear E-17,5	107,5x84x36
Approx weight	425g

REFERENCE SITES

- CHICAGO ATHLETIC CLUBS (USA)
- TD BANK (CANADA)
- JP MORGAN (UK)
- PROSPORTS CLUB (USA)
- MARRIOT HOTELS (UK)
- CALIFORNIA FAMILY FITNESS (USA)
- SPA LE CHABICHOU (FRANCE)
- FERNANDO SCHERER (BRAZIL)





OJMAR, S.A.
Polígono Industrial de Lerun, s/n
20870 Elgoibar
Gipuzkoa
SPAIN
T. +34 943 748484
F. +34 943 748490
www.ojmar.com

