

INSTALLATION GUIDELINES

**raceways system**  
POWER & DATA CABLE MANAGEMENT



## INSTALLATION GUIDELINES

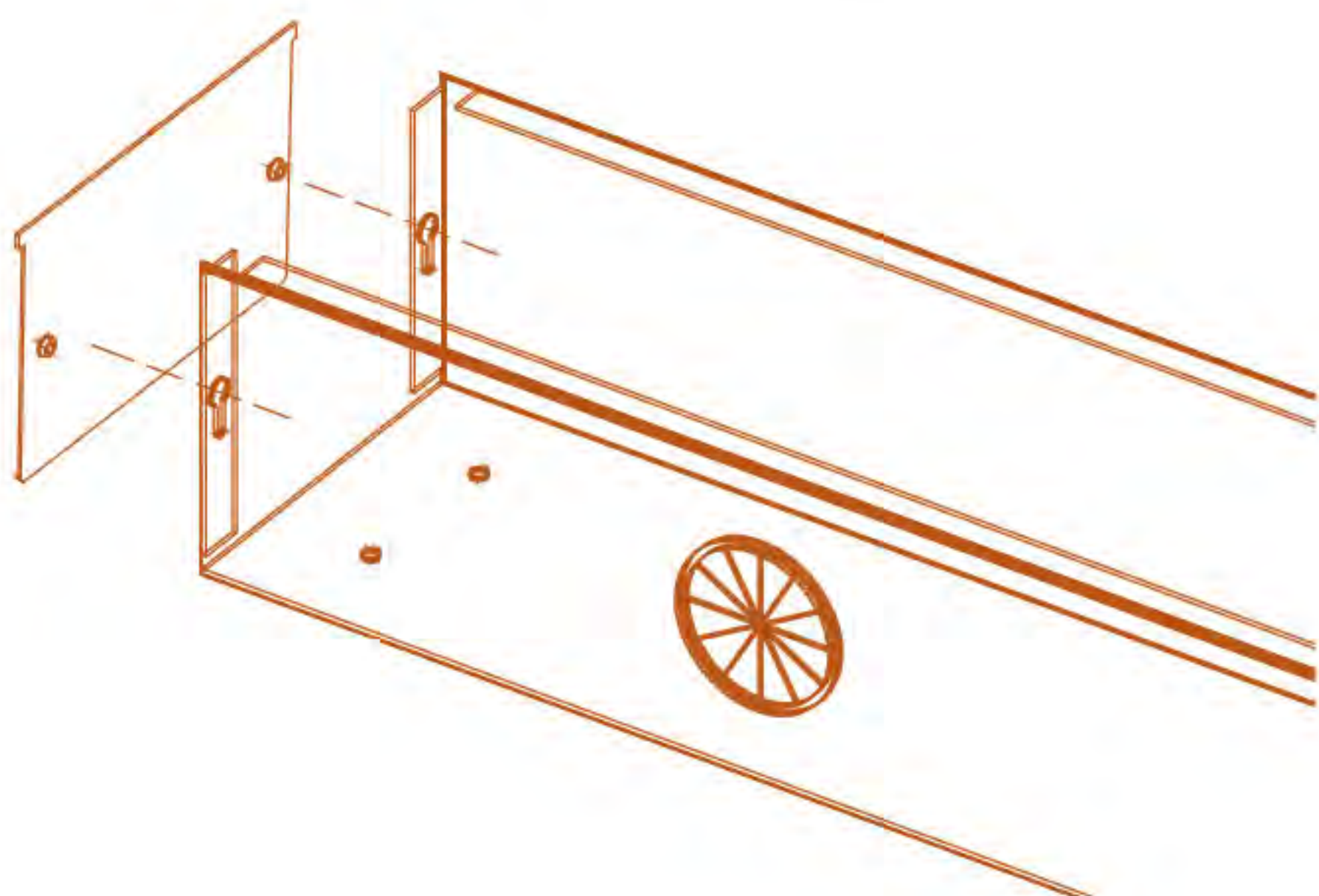
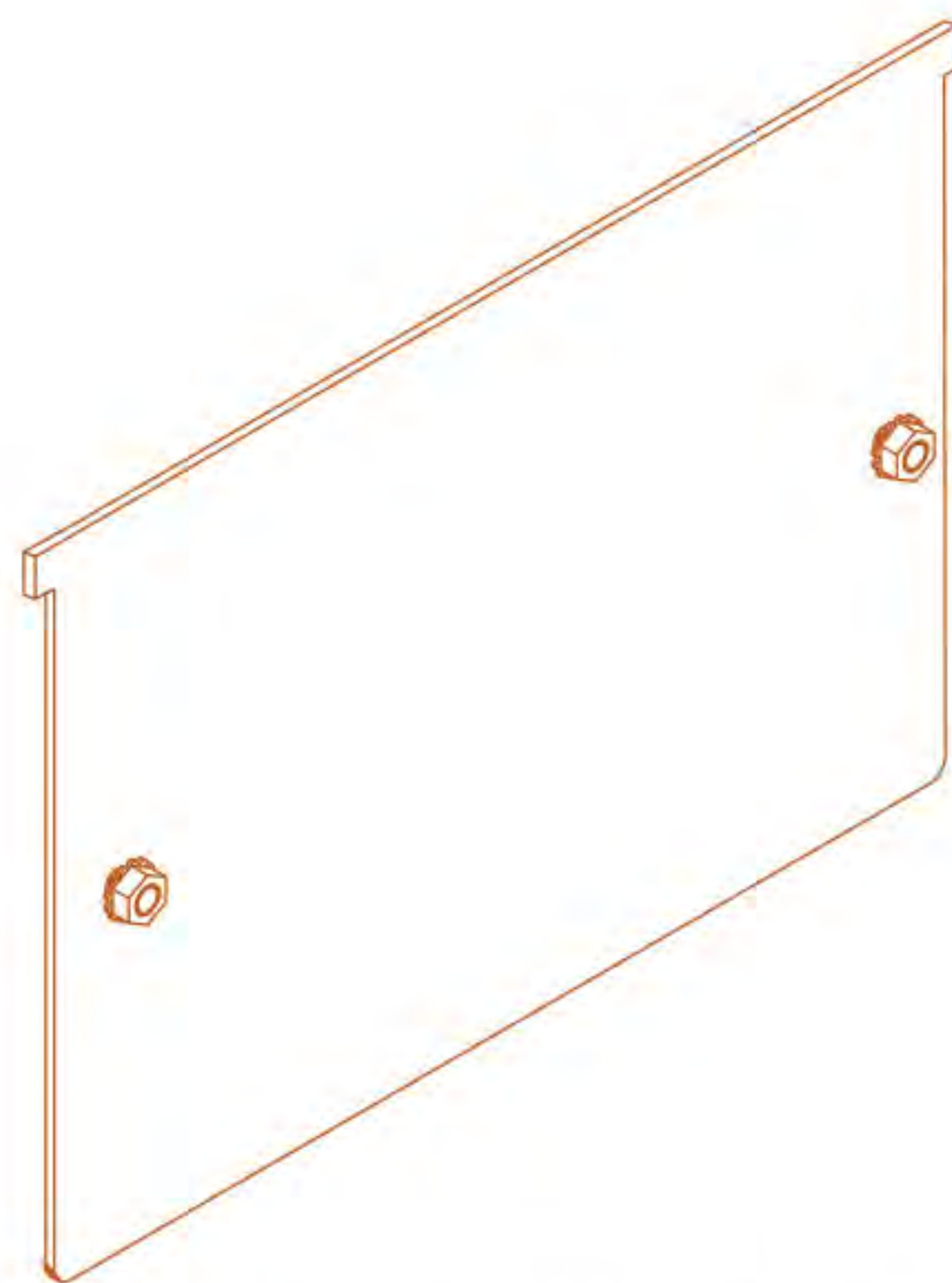
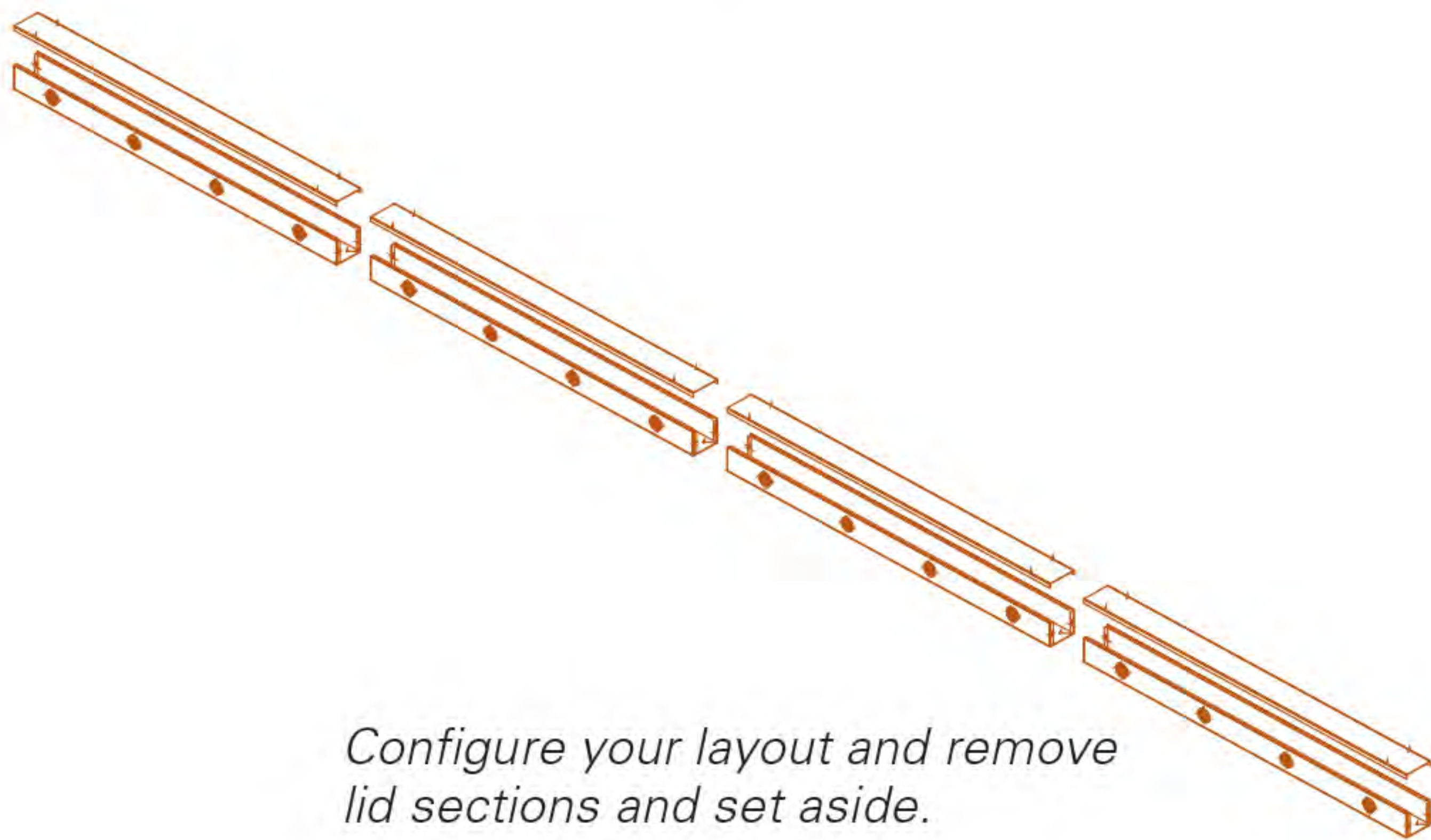
### GETTING STARTED

#### TOOLS REQUIRED

- 1/4" Drive 7/16" Socket with handle
- Cordless drill or driver with #2 Phillip's head tip
- 3/8" or larger impact or concrete drill
- Wood or plastic shims

#### DETERMINE LAYOUT ORIENTATION

Unpack and arrange raceway sections according to desired plan. Raceway sections come in 24", 48" and 94" sections. Check plans and sizes needed to create the desired run length and remove lid sections and set aside.

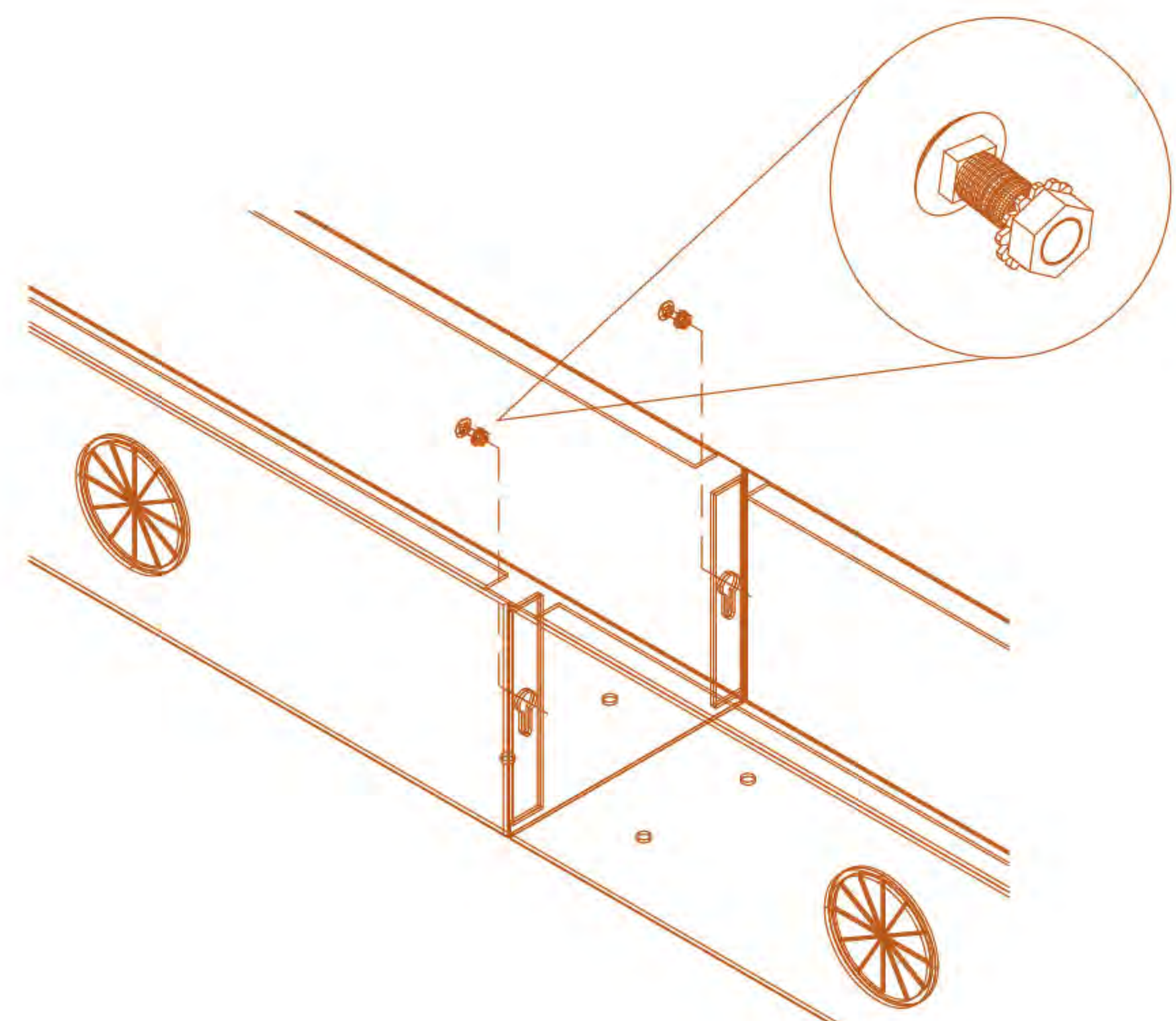
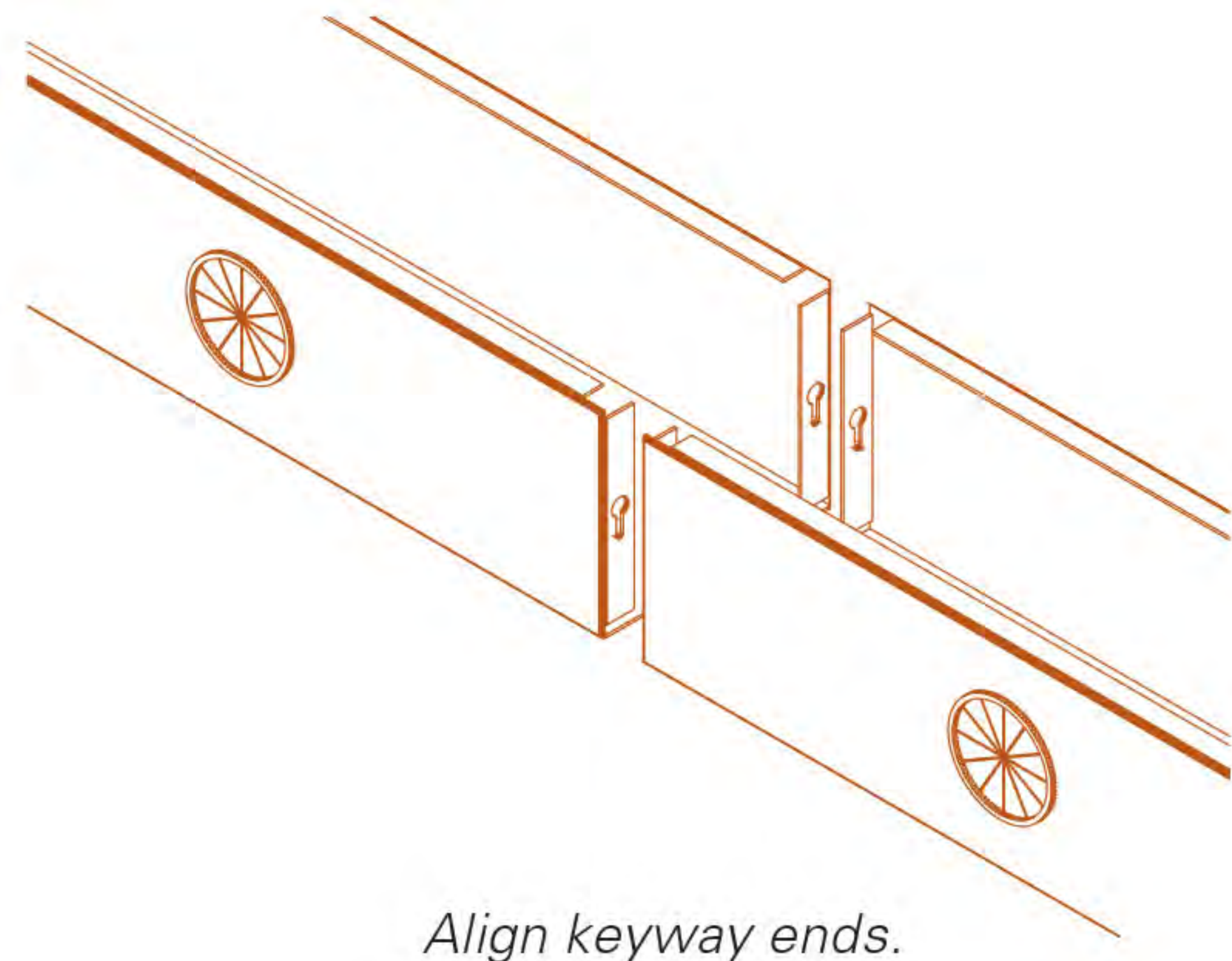


#### DETERMINE WHICH ENDS ARE FINISHED

Install finished ends into keyway openings and push downward to seat them flush with the bottom of the raceway. Tighten self locking nuts with a 3/8" socket or wrench. Note, some jobs may come pre-configured with ends pre-installed.

#### JOIN RACEWAY ENDS

Align keyway sections at ends. Pre-thread 10-24 nuts onto 10-24 carriage bolts and insert from either direction through large keyway hole at top of keyway and slide downward to bottom of slot, tighten with 3/8" socket or wrench. Adjust ends carefully to match height and width and tighten nuts. Well-adjusted ends will keep lid ends even and aligned and produce a more seamless look. Bolt all sections together before attaching to floor.

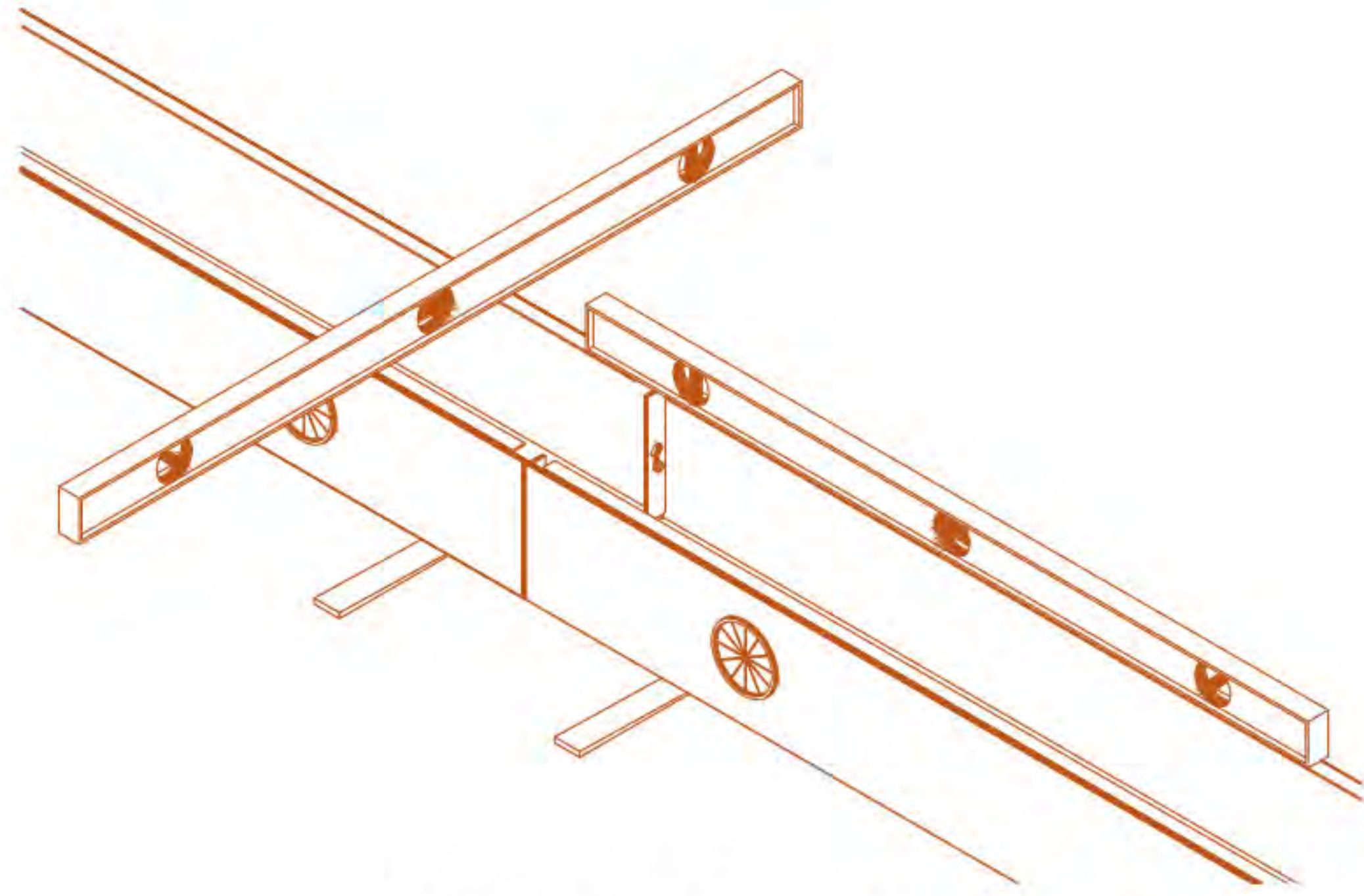




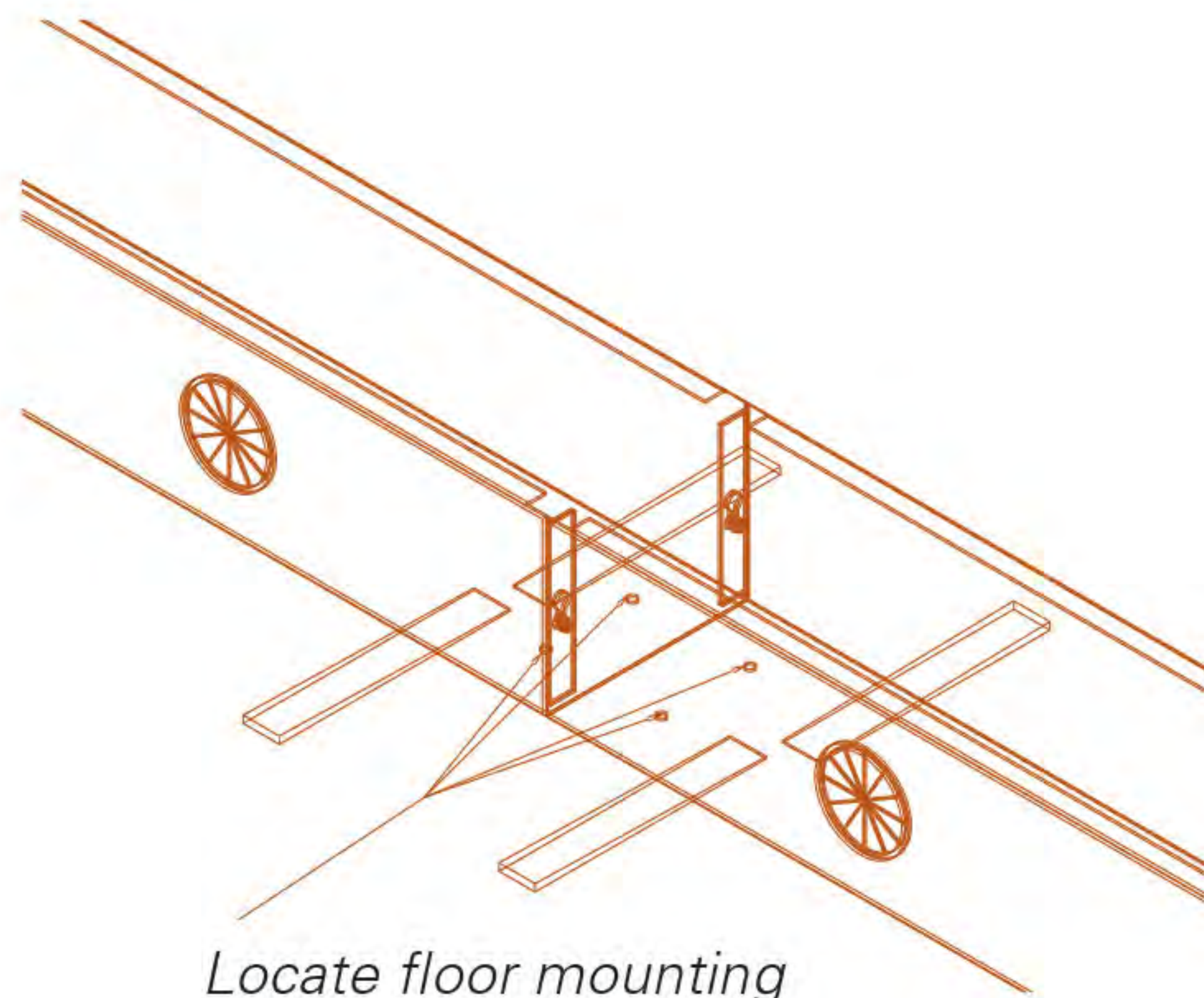
## INSTALLATION GUIDELINES

### SHIM AND LEVEL RACEWAYS

Once ends are joined and proper position is established shim and check level. Take note of floor attachment holes and shim raceways close to mounting holes if necessary. This keeps raceways from distorting and makes lids fit better after final attachment to floor.



*Shim and level raceways as required once ends are joined and proper position is established.*



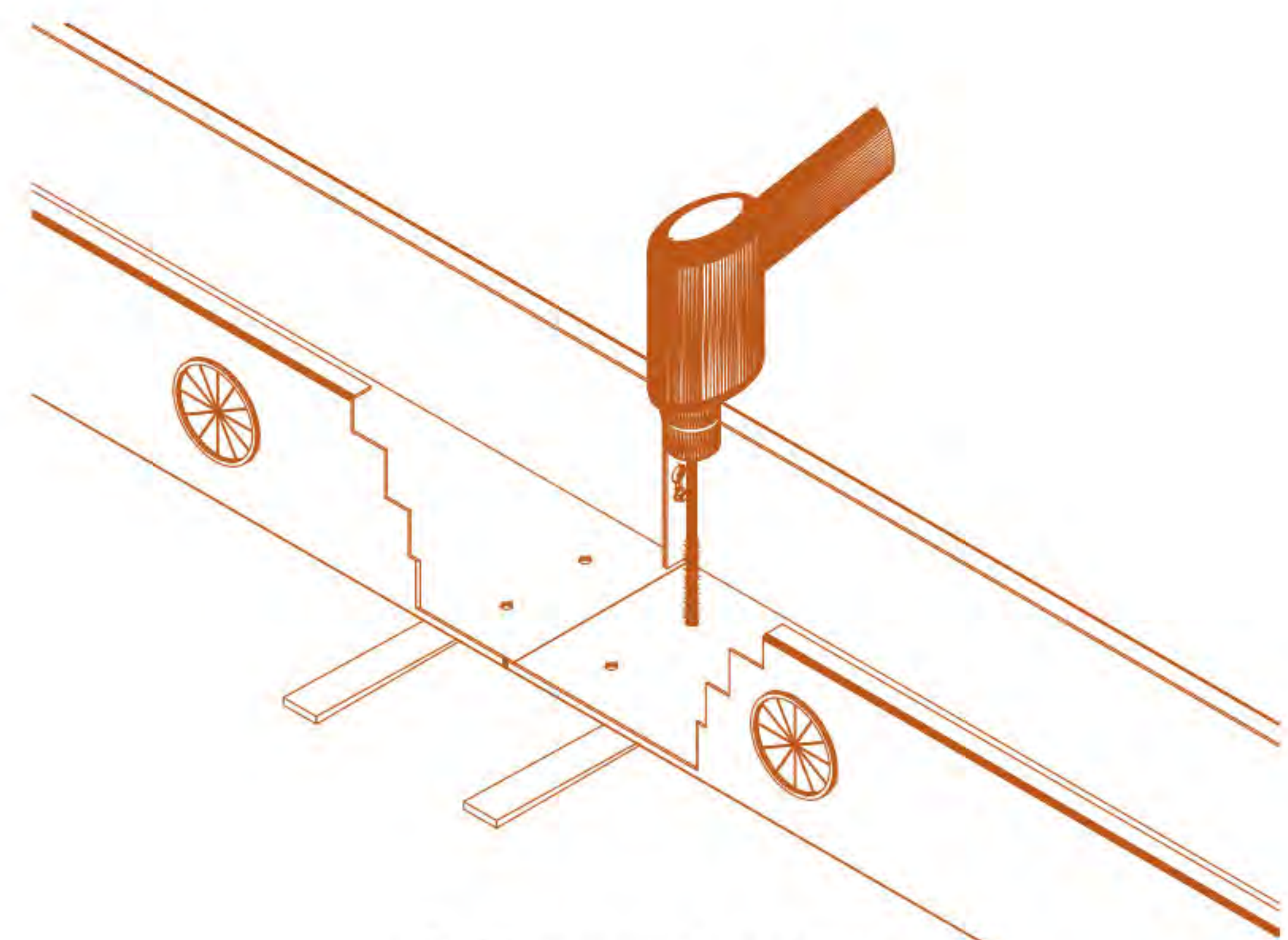
*Locate floor mounting holes and shim close to holes if necessary.*

### ANCHOR RACEWAYS TO THE FLOOR

Assuming raceways are mounted to a concrete floor drill mounting holes with 2" of penetration at all necessary locations. A variety of floor anchors can be used to secure raceways in place on concrete including wedge anchors, drive rivets and concrete anchor screws. 1/4" x 2 1/4" concrete anchor screws are recommended for most applications.



*1/4" x 2 1/4" concrete anchor screws are recommended for floor mounting for most applications.*



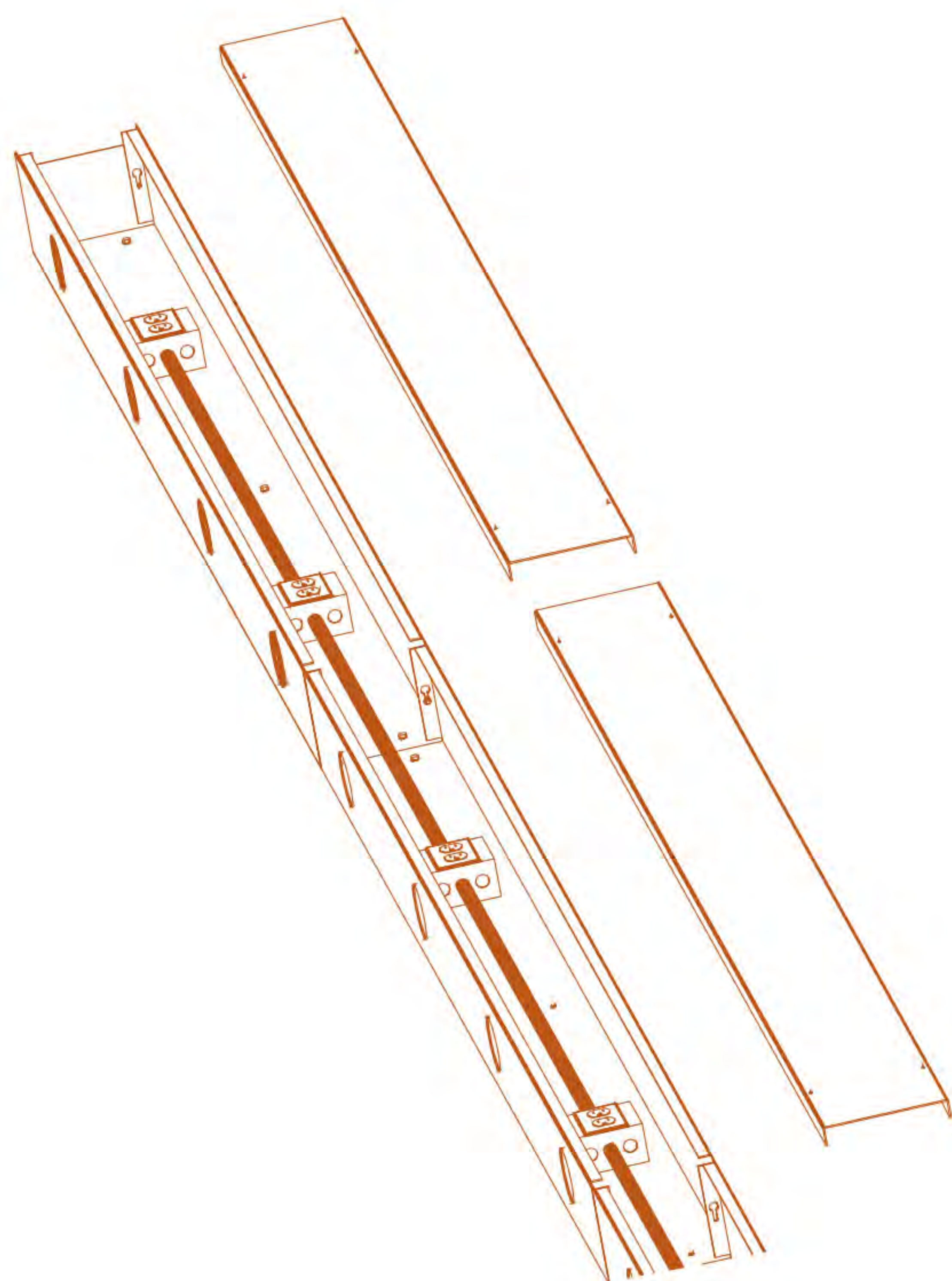
*Drill mounting holes at desired locations and install concrete anchor screws, wedge anchors or drive rivets.*



## INSTALLATION GUIDELINES

### INSTALL ELECTRICAL BOXES AND CONDUIT

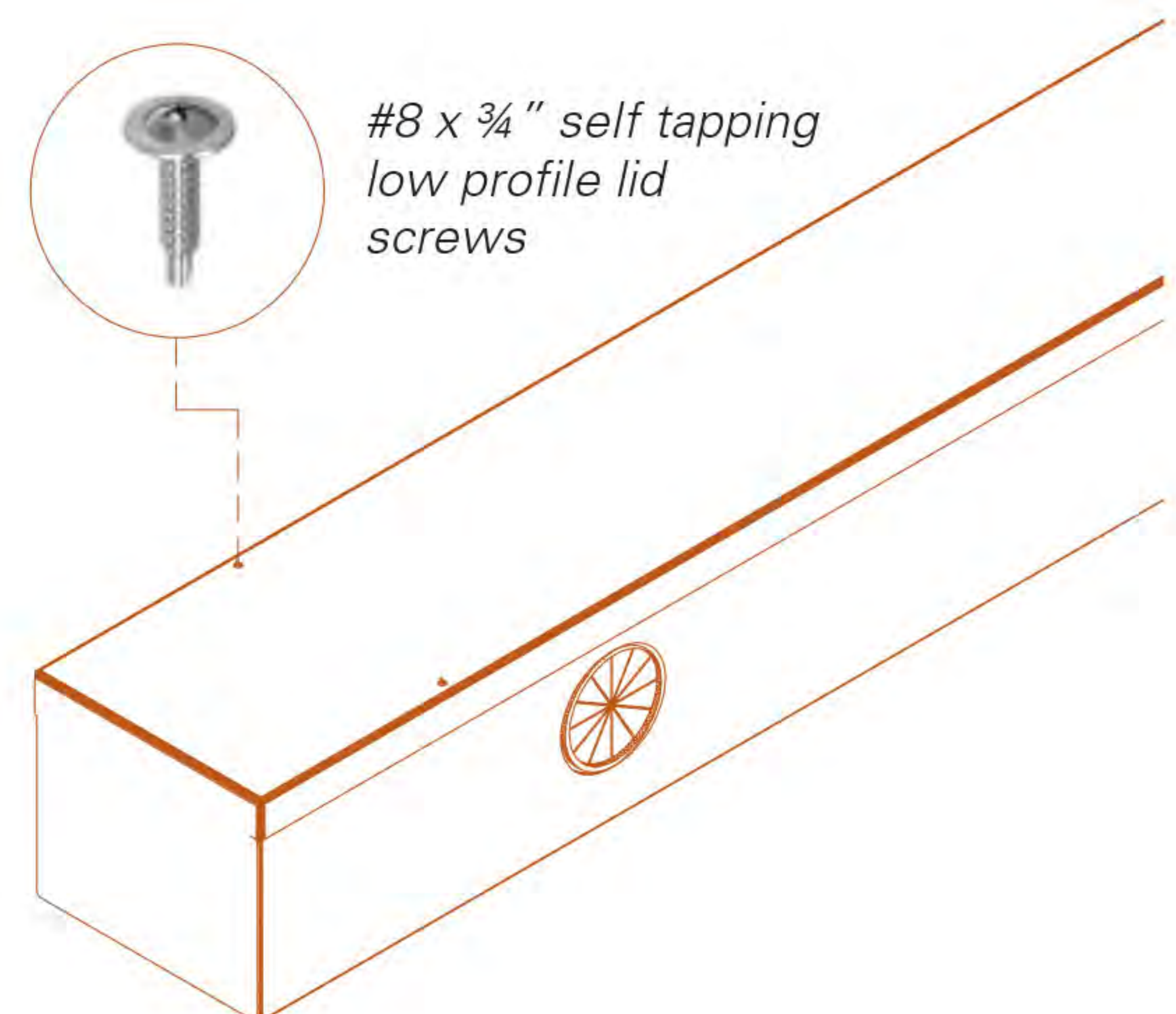
After raceway sections have been joined together and secured to the floor. All electrical conduit and boxes should be installed within the enclosure by a qualified competent and licensed electrician. Raceway enclosures are not intended or rated to be used as bare wire enclosures in lieu of standard certified electrical boxes and conduit. Close attention should be paid to electrical infrastructure requirements and an installation plan should be developed and engineered by a competent architect or electrical engineer based on those requirements.



*All electrical connections should be housed within standard electrical boxes and conduit and mounted inside raceway enclosures.*

### FASTEN LIDS

Replace lid sections and secure with #8 x 3/4" self-tapping low profile lid screws. To offer the greatest amount of flexibility at installation the lower sections are not pre-drilled to accept the lids. This offers the ability to adjust the placement of the lids to compensate for floor imperfections. It also means that the mounting screws are being driven and the threads cut for them for the very first time. Make sure all lid sections are aligned and placed correctly and care is taken when driving the mounting screws.



**crg.us.com**

1875 North MacArthur Drive  
/// Tracy, CA 95376  
T > 209 836 4100 F > 209 836 4131

CRG.RAC[2]11:22