



## POWER & DATA CABLE MANAGEMENT

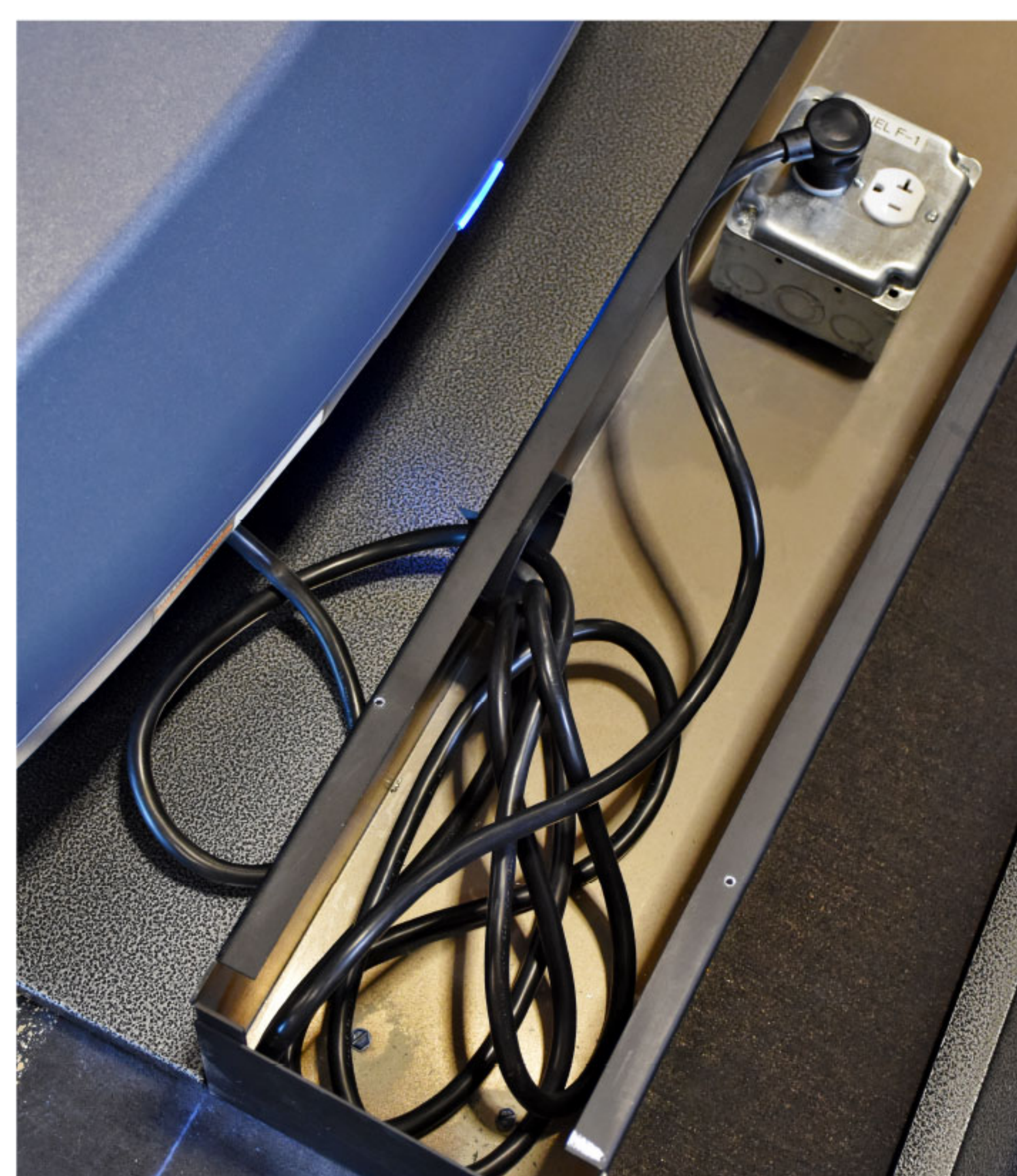


The Clubline® Raceways System is used to conceal electrical cords, conduit, and data network components necessary for cardio equipment within a fitness training facility. Our Raceways System can be utilized anywhere exposed electrical boxes and conduit are not desired, but necessary for component service and reducing liability hazards to the public. They are designed to be floor mounted as an aesthetic component and an economical alternative to floor trenching.

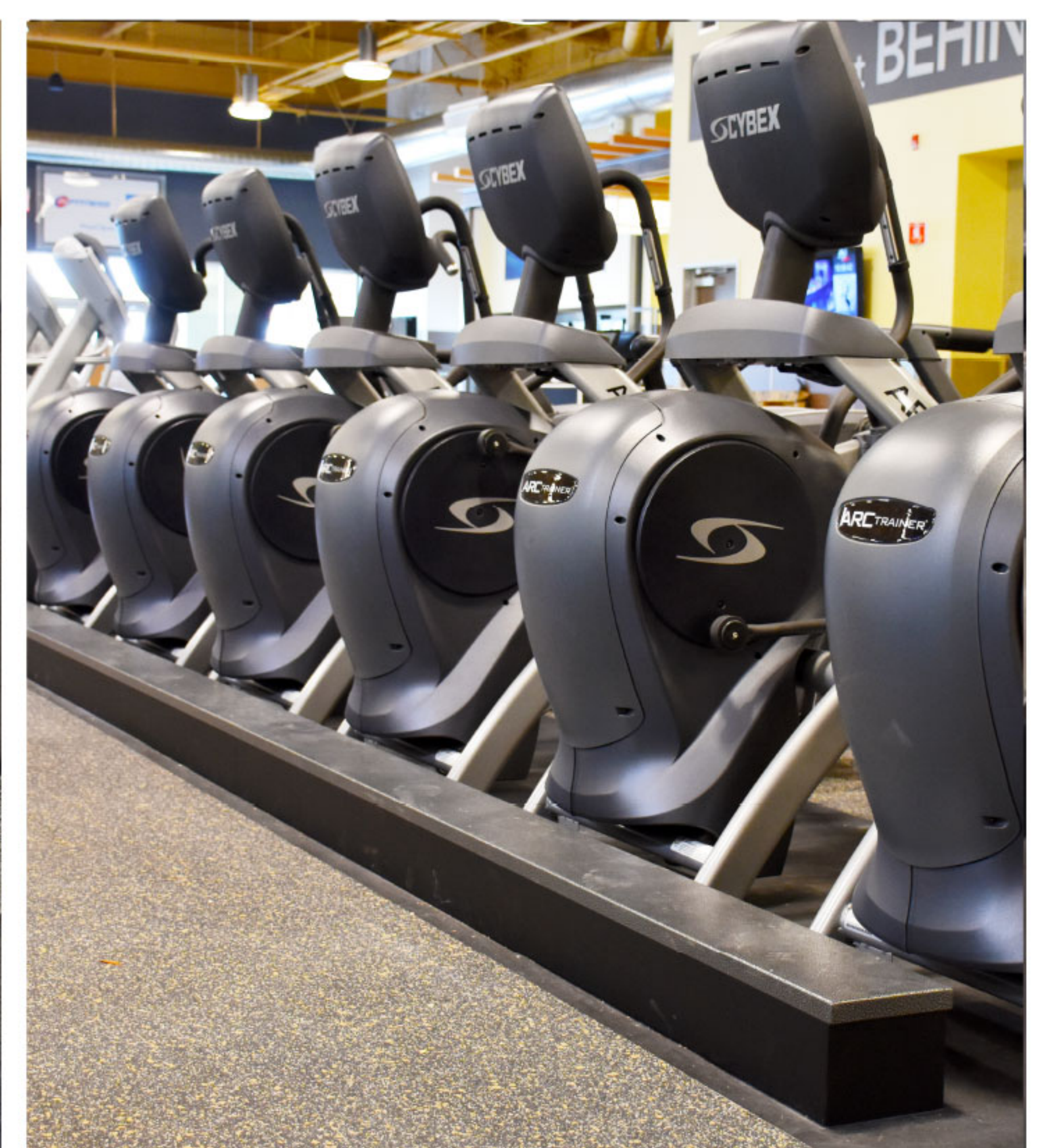
Use Clubline Raceways anywhere multiple electrical outlets in close proximity are needed for a more organized, cleaner connection and allowing limited access. Raceway sections are interchangeable, expandable and can be reconfigured as your facility needs change. They assemble and anchor quickly with basic tools and are easy to maintain and service.



Treadmill Brake for Cardio Equipment Stability >>>



Conceals Cords/Conduit/Cable >>>



Perfect For Machines With Different Power Needs >>>



Provides Aesthetics and Reduces Liability >>>



Customize For Short Or Long Power Runs >>>



Adaptor Plate With Leviton Port >>>

*Today's health and fitness facilities utilize high voltage cardio equipment more than ever. These machines also connect, via low voltage cords, to the next generation of smart monitors, screens and devices that require CAT 5/6 and coaxial ports, supporting ongoing advances in technology.*

The Clubline® Low Voltage Divider (LVD) is an easy addition to the Clubline Raceways System, meeting your electrical contractors requirements for the separation of the two different power sources. These additional components conceal electrical cords, conduit, and data network components separately, yet in the same Clubline Raceway. Easy to acquire Leviton® data ports allow multiple custom configurations. Floor mounted and economical, these aesthetic components are an alternative to floor trenching and reduces many liability hazards to the public.

Be sure to look at our Clubline Raceways System parts list for a complete selection of Raceways parts and accessories.



Isolates Different Voltage Cords/Conduit/Cables >>>

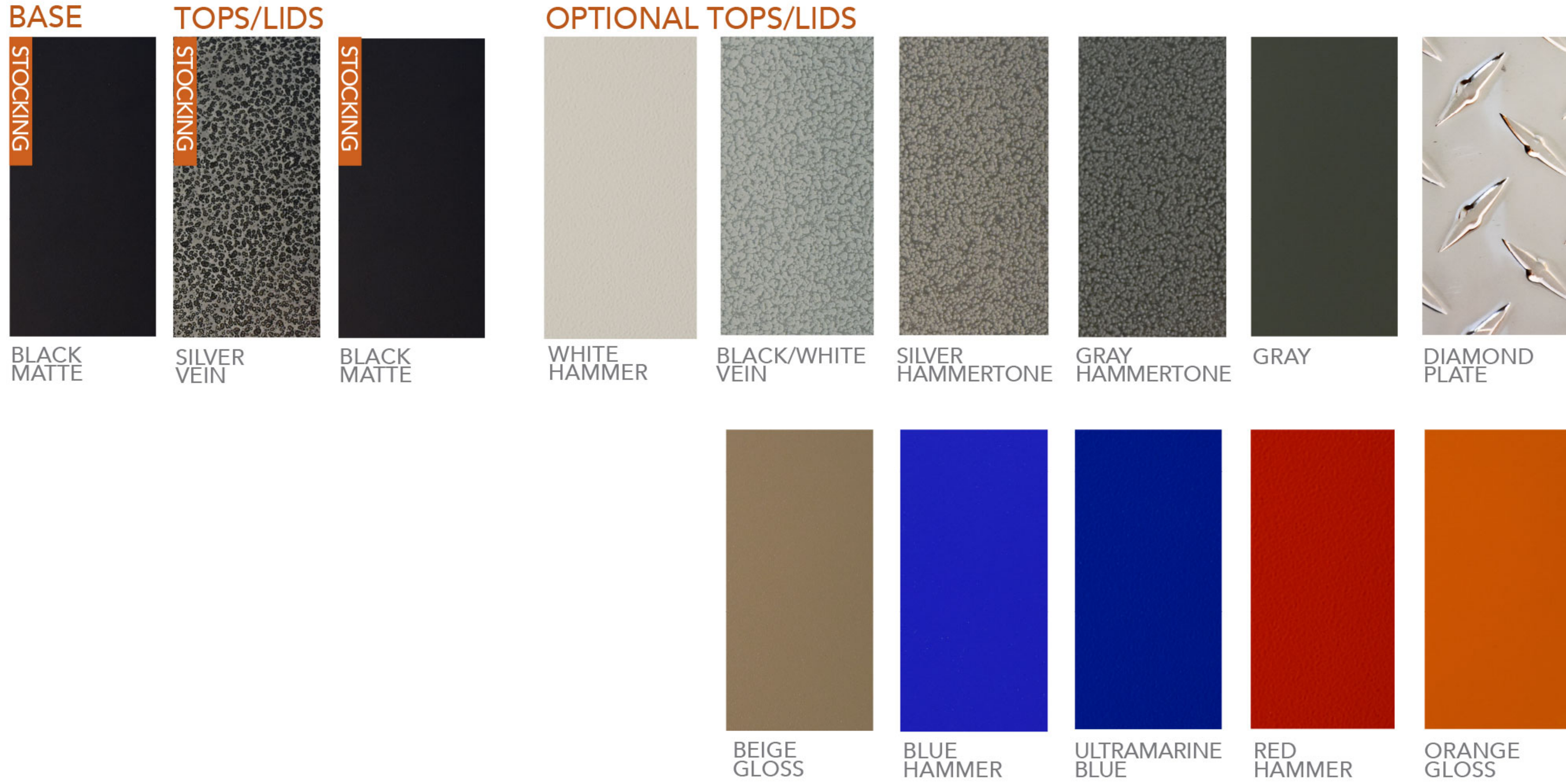


Easy Addition To The Standard Raceways System >>>

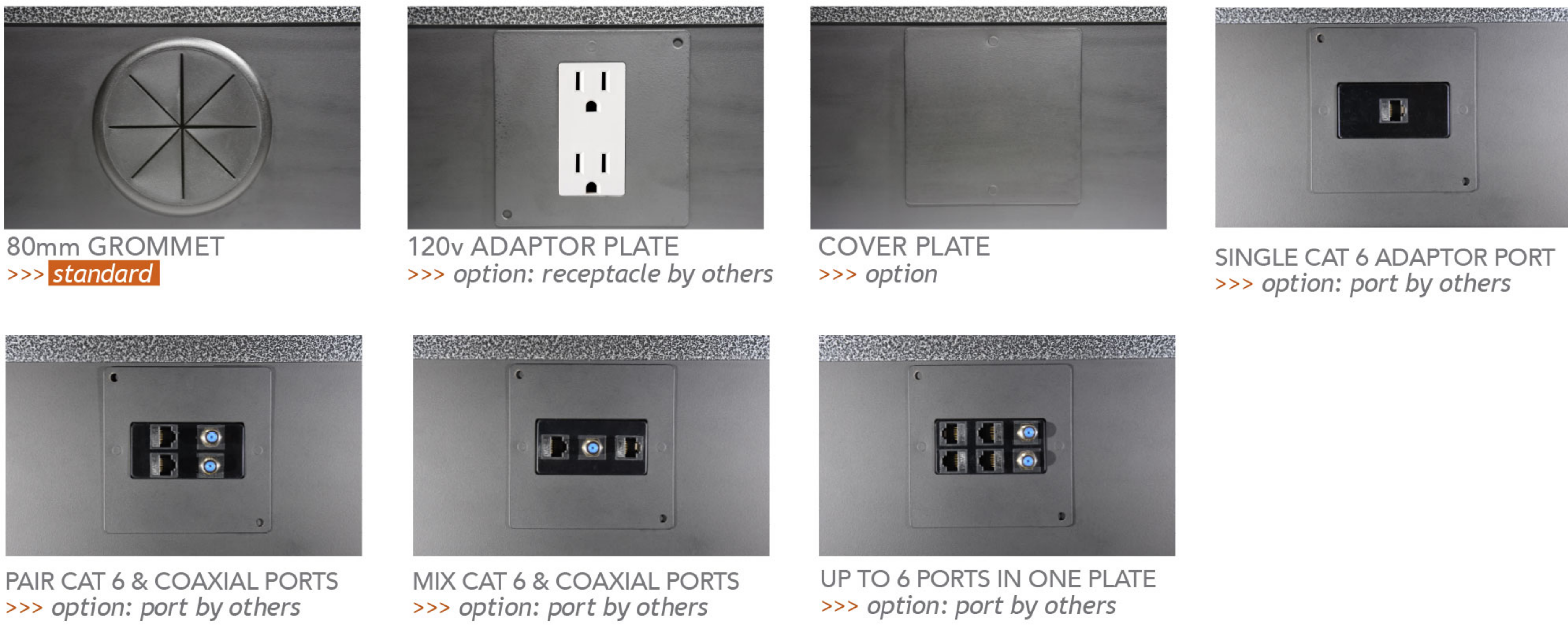


Data Bridge For Safety & Easy Access >>>

## STANDARD FINISHES///COLOR CONFIGURATIONS Custom Colors Available



## PORTALS: GROMMETS/ADAPTOR PLATES/PORTS



## TREADMILL BRAKE PLATE

>>> for stability between cardio equipment and raceway



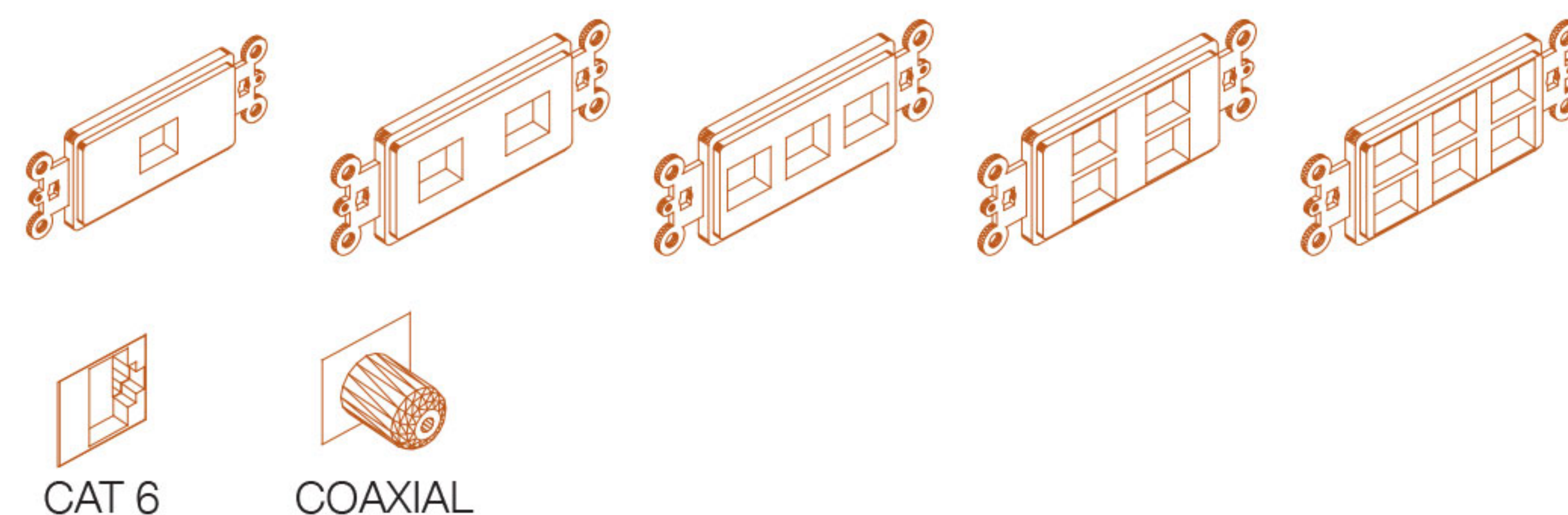


## >>> FEATURES & BENEFITS

- Standard Black Base
- Custom Colors Available
- 4 Stocking Lengths /// 24" • 48" • 94"
- 3 Junctions for Turns
- 3 Junctions for Curves or Arcs
- Expansion Portals for Adaptability
- Perfect for Cable & Wire Management
- Easy to Install, Maintain and Service
- Keeps High Voltage and Low Voltage Service Separated
- Data Bridge Allows Access for Low Voltage Line Portals
- Adaptor Cover Plate Allows Many Configuration Choices
- Use in Conjunction with Leviton 1,2,3,4 and 6 Port Options
- Allows for Customization of Equipment Layout

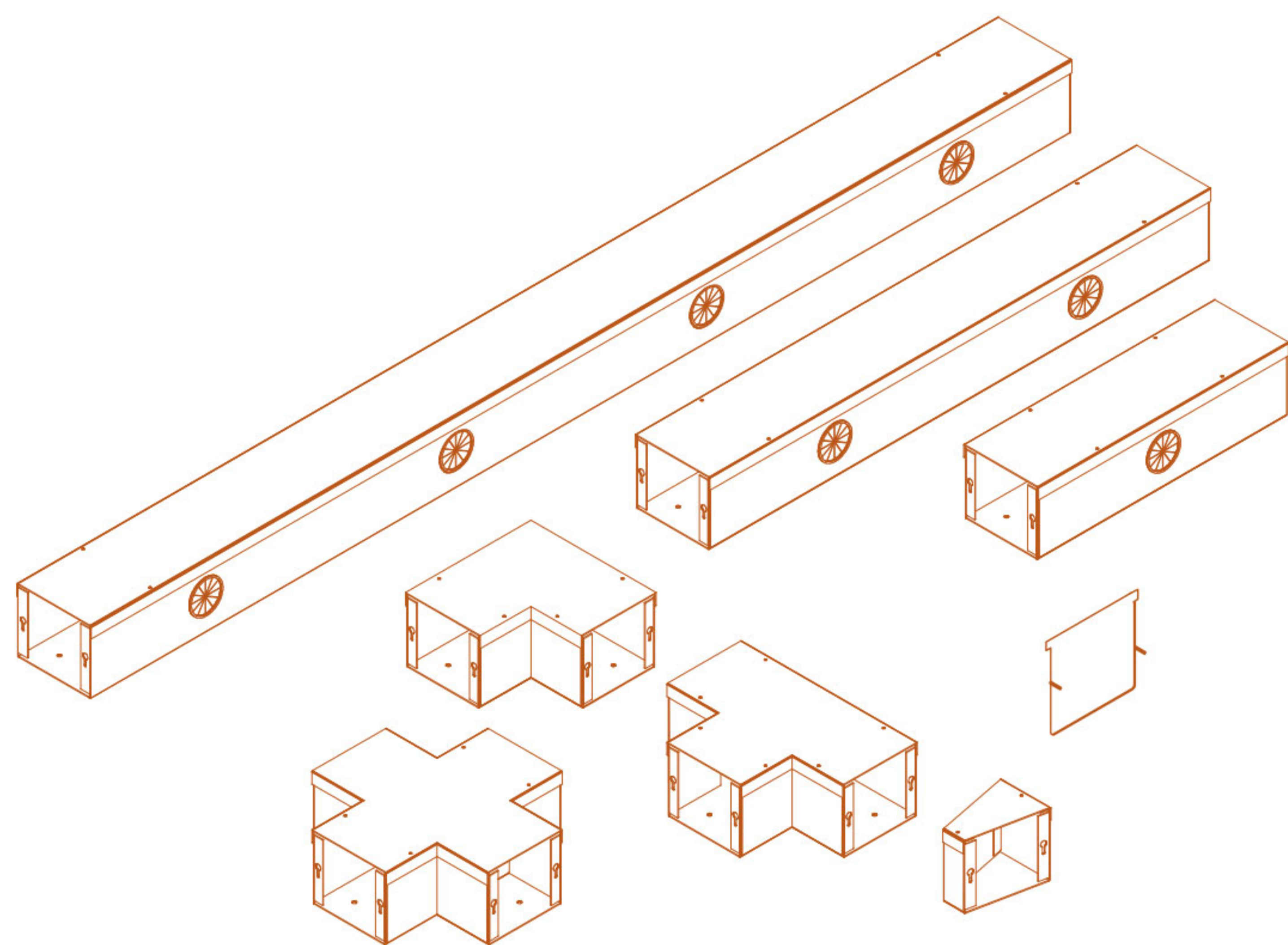
## ADAPTOR PLATES ACCEPT STANDARD LEVITON® PORTS

MIX & MATCH PORT CHOICES /// CAT 6 OR COAXIAL



LEVITON is a registered trademark of the Leviton Manufacturing Co., Inc.

### Outside the Raceway Standard Bases/Junctions/Lids



### Inside the Raceway Dividers/Bridges/Grommets/Plates

