

CUE[®]

NEXT[®]

LOCK by Digilock[®]





PART NUMBER STRUCTURE

NXT - UKX - AXS - XXX - 01 - 2U

Management Method

Security Platform

Functionality

Body Type

Finish

Color Ring & Insert

Mounting

Door Thickness

Management Method

C = Code Managed
K = Key Managed

Security Platform

A = Advanced

Functionality

D Dual (Default shared)
P Assigned

Body Type

S = Standard

Finish

619 = Brushed Nickel
605 = Polished Brass

Color Ring & Insert

1 = Black

Mounting

2 = Surface

Door Thickness

U = up to .91" (23 mm)

Example: NXT-UKC-ADS-619-01-2U

NEXTLOCK CUE, keypad, code managed, advanced security, dual function preset to shared use, standard body, brushed nickel, black insert, surface mount on a door thickness up to .91" (23mm)

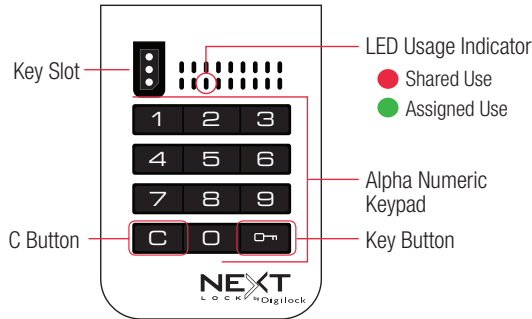


PRODUCT GUIDE

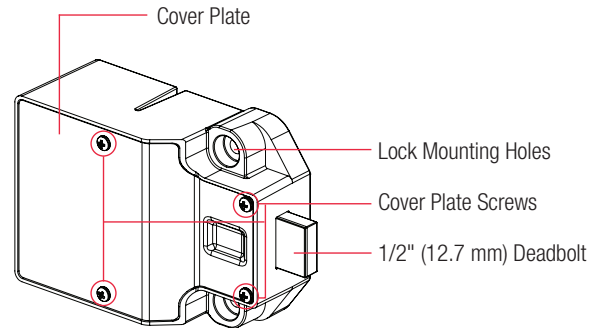
CUE is a keypad lock designed to operate for shared or assigned use applications. In shared use functionality, the user chooses any available locker and enters a self-selected 4-digit code to lock and the same code to later unlock. Once unlocked, the locker is available for a different user. In assigned use functionality, the user is assigned a specific locker and a 4-digit code or User Key to operate the lock. A Programming Key unique to the lock system programs up to 25 Manager Keys to the locks for management access, external power, and inspection.

Lock Parts

Front Unit



Rear Unit



Keys

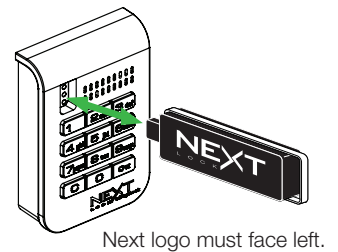


	User Key	Manager Key*	Programming Key**
Operates the lock	•	•	•
Overrides user access		•	•
Allows management inspection		•	•
Provides external power		•	•
Registers Manager Keys			•
Assigns user credential (in assigned use)		•	
Sets lock functionality			•

*Up to 25 Manager Keys may be registered to each lock

**1 Programming Key allowed per lock group.

Key Insertion



Initial Setup

New locks operate only by pressing [C] [0]. Locks must be setup to allow full operation.

- Touch the Programming Key to the key slot until a two-tone beep is heard and the LED turns on.
- Touch each Manager Key to the key slot. A two-tone beep will be heard for each Manager Key that is successfully registered.
- Touch the Programming Key to the key slot until a two-tone beep is heard and the LED turns off.
- Repeat above steps for each lock or follow [Express Register Manager Key\(s\)](#) instructions to setup all locks.

Express Register Manager Key(s)

The Programming Key can quickly register the same Manager Key(s) to operate multiple locks.

- Go to the lock registered with the Manager Key(s).
- Press [C] [0] [6] [6] [0]. The LED will turn on.
- Touch the Programming Key to the key slot until a two-tone beep is heard and the LED turns off.
- At each lock to be registered, touch the Programming Key to the key slot until a two-tone beep is heard and the LED flashes once to indicate successful registration.
- End express registration,* go to any registered lock and press [C] [0] then touch the Programming Key to the key slot to operate the lock.

* The Programming Key will continue to function in express registration mode until it is used to operate a lock.

Programming Instructions

Register/Add Manager Key(s)

Manager Key(s) can be registered to a lock after Initial Setup has been completed.

- Go to the lock requiring Manager Key(s).
- Press **[C][0][5][5][0]**. The LED will turn on.
- Touch the Programming Key to the key slot until a two-tone beep is heard.
- Touch each Manager Key to the key slot. A two-tone beep will be heard for each Manager Key that is successfully registered.
- Touch the Programming Key to the key slot until a two-tone beep is heard and the LED turns off.
- Repeat above steps for each lock or follow [Express Register Manager Key\(s\)](#) instructions to register the same Manager Key(s) to multiple locks.

For Lost or Stolen Keys

For a lost or stolen Programming Key:

A replacement Programming Key must be purchased and registered to the lock(s) to prevent the lost/stolen Programming Key from accessing/programming a lock.

For lost or stolen Manager Key(s):

All registered Manager Keys must be erased and only the remaining Manager Keys must be registered to the lock(s) to prevent the lost/stolen Manager Key from accessing a lock. Purchase additional Manager Key(s) from an authorized distributor.

- Collect all remaining Manager Key(s).
- Press **[C][0][5][5][0]**. The LED will turn on.
- Touch the Programming Key to the key slot until a two-tone beep is heard.
- Touch the Programming Key to the key slot again until three sets of two-tone beeps are heard and the LED turns off. All previously registered Manager Key(s) are erased from the lock.
- Follow [Register/Add Manager Key\(s\)](#) instructions to register the remaining Manager Key(s).

Set Lock Functionality

Each lock can be set for either shared or assigned use functionality. The default functionality is shared use. Press **[C]** to check functionality. If in shared use, LED is red. If in assigned use, LED is green.

Set lock for assigned use functionality:

- Press **[C][0][6][5][0]**. The LED will turn on.
- Touch the Programming Key to the key slot until a two tone beep is heard and the LED turns off.
- Follow [Assign User Credential](#) instructions to assign a User Code or User Key to operate the lock.

Set lock for shared use functionality:

- Press **[C][0][5][6][0]**. The LED will turn on.
- Touch the Programming Key to the key slot until a two tone beep is heard and the LED flashes once.

Auto Unlock (for shared use functionality only)

When in shared use functionality, each lock can be programmed to auto unlock after a set number of hours. The default setting is OFF (does not auto unlock).

To turn on Auto Unlock:

- Press **[C][0][9][5][0]** then touch the Programming Key to the key slot until the LED turns on.
- Set the number of hours: Press **[1] - [9][9][0]**. Two sets of two-tone beeps will be heard and the LED will turn off.
For example: Press **[4][0]** to set the lock to auto unlock after 4 hours.

To turn off Auto Unlock:

- Press **[C][0][9][4][0]**. The LED will start to flash.
- Touch the Programming Key to the key slot until a two tone beep is heard and the LED turns off.

LED Usage Indicator (for shared use functionality only)

When in shared use functionality, each lock can be programmed to have the LED flash or not flash while the lock is in use. The default setting is ON (red LED flashes while lock is in use).

To turn off the LED Usage Indicator:

- Press **[C][0m][9][2][0m]**. The LED will start to flash.
- Touch the Programming Key to the key slot until a two-tone beep is heard and the LED turns off.

To turn on the LED Usage Indicator:

- Press **[C][0m][9][1][0m]**. The LED will start to flash.
- Touch the Programming Key to the key slot until a two-tone beep is heard and the LED turns off.

Assign User Credential (for assigned use functionality only)

Make sure that the lock is set for assigned use functionality. Once a user credential is assigned, the previously assigned user credential will no longer operate the lock.

Assign a User Code (default user code = **[1][2][3][4]**):

- Press **[C][0m]** then touch a registered Manager Key to the key slot until the LED turns on.
- Press **[C]** [new 4-digit code] **[0m]**. A two-tone beep will be heard.
- To confirm, press **[C]** [the same 4-digit code] **[0m]**. Two sets of two-tone beeps will be heard and the LED will turn off.

Assign a User Key:

- Press **[C][0m]** then touch a registered Manager Key to the key slot until the LED turns on.
- Touch a User Key to the key slot until a two-tone beep is heard and the LED turns off.

Operating Instructions

Operate with a User Code

For assigned use functionality:

- To unlock: Press **[C]** [assigned 4-digit code] **[0m]***.
- To relock: Press **[C][0m][0m]**.

For shared use functionality:

- To lock: Press **[C]** [any 4-digit code] **[0m]**.
- To unlock: Press **[C]** [the same 4-digit code] **[0m]***.

Operate with a User Key

For assigned use functionality:

- To unlock: Touch the assigned User Key to the key slot.
- To relock: Touch the assigned User Key to the key slot.

For shared use functionality:

- To lock: Touch any User Key to the key slot.
- To unlock: Touch the same User Key to the key slot.

Operate with a Registered Manager Key

- To unlock and lock: Touch a registered Manager Key.**

Operate with a Registered Programming Key

- To unlock and lock: Press **[C][0m]** then touch the Programming Key to the key slot.**

* The lock will go into "Sleep Mode" (keypad is disabled) after 3 consecutive incorrect user code entries.

** If a registered Manager Key or the Programming Key is used to unlock and then relock, the previous user credential will continue to operate the lock.

Support

Sleep Mode

After three consecutive incorrect User Code entries to unlock, the lock will go into “Sleep Mode” for one minute and for an additional minute for each subsequent incorrect entry. The keypad is disabled while in “Sleep Mode”.

Error Condition Indicator

10 rapid beeps:

The lock is binding which means that either door alignment or items in the locker are preventing the lock from operating. Press on the door while operating the lock. If error condition persists, contact Digilock support for assistance.

2 sets of three beeps:

The batteries are low. Replace the batteries.

1 beep:

The lock does not recognize the User Code, User Key, Programming Key, or Manager Key.

Does not Unlock with the User Code or User Key

The lock does not recognize the User Code or User Key. For immediate access, operate with a registered Manager Key. If in assigned use functionality, follow [Assign User Credential](#) instructions to assign a new User Code or User Key to the lock.

Does not operate with a Manager Key

The lock does not recognize the Manager Key. Follow [Register/Add Manager Key\(s\)](#) instructions to register the Manager Key to the lock. For immediate access, operate with another registered Manager Key or with the Programming Key.

Does not operate with the Programming Key

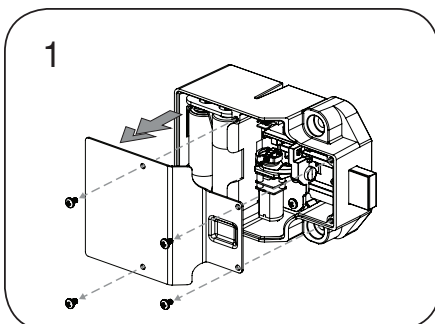
The lock does not recognize the Programming Key. Contact Digilock support.

No Audible Feedback when **C** is Pressed

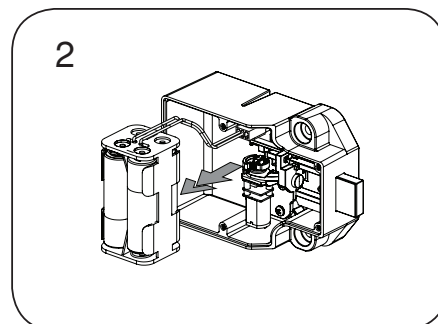
- The lock may be in “Sleep Mode”. For immediate access, operate with a registered Manager Key.
- The batteries may need to be replaced. Operate with the Manager Key to unlock then replace the batteries.
- The front unit may not be properly connected to the rear unit. Remove the lock from the door and check the cable connection.
- If error condition persists, contact Digilock support.

Battery Replacement

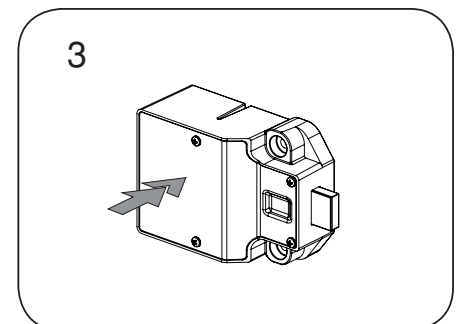
It is not necessary to uninstall the lock from the door.



1 Remove the screws and the cover plate.



2 Pull the battery pack from the rear housing. Replace with four premium alkaline AA batteries.

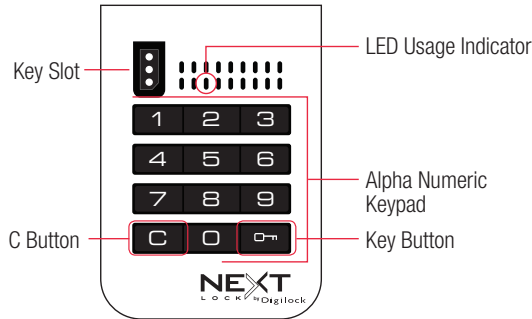


3 Place the battery pack back into the rear housing and screw cover plate in place.

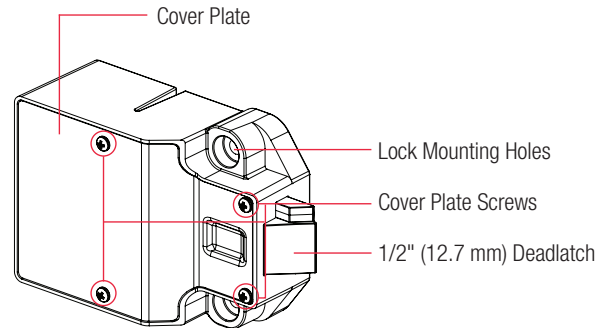
CUE keypad locks with a deadlatch are designed to operate for assigned use applications. In assigned use functionality, the user is assigned a specific locker and a 4-digit code or User Key to operate the lock. A Programming Key unique to the lock system programs up to 25 Manager Keys to the locks for management access, external power, and inspection.

Lock Parts

Front Unit



Rear Unit



Keys

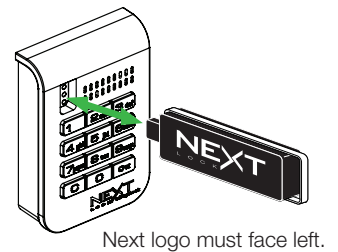


	User Key	Manager Key*	Programming Key**
Operates the lock	•	•	•
Overrides user access		•	•
Allows management inspection		•	•
Provides external power		•	•
Registers Manager Keys			•
Assigns user credential		•	

*Up to 25 Manager Keys may be registered to each lock

**1 Programming Key allowed per lock group.

Key Insertion



Initial Setup

New locks operate with **[C][0]**. Locks must be setup to allow full operation.

- Touch the Programming Key to the key slot until a two-tone beep is heard and the LED turns on.
- Touch each Manager Key to the key slot. A two-tone beep will be heard for each Manager Key that is successfully registered.
- Touch the Programming Key to the key slot until a two-tone beep is heard and the LED turns off.
- Repeat above steps for each lock or follow [Express Register Manager Key\(s\)](#) instructions to setup all locks.

Express Register Manager Key(s)

The Programming Key can quickly register the same Manager Key(s) to operate multiple locks.

- Go to the lock registered with the Manager Key(s).
- Press **[C][0][6][6][0]**. The LED will turn on.
- Touch the Programming Key to the key slot until a two-tone beep is heard and the LED turns off.
- At each lock to be registered, touch the Programming Key to the key slot until a two-tone beep is heard and the LED flashes once to indicate successful registration.
- End express registration,* go to any registered lock and press **[C][0]** then touch the Programming Key to the key slot to operate the lock.

* The Programming Key will continue to function in express registration mode until it is used to operate a lock.

Programming Instructions

Register/Add Manager Key(s)

Manager Key(s) can be registered to a lock after Initial Setup has been completed.

- a. Go to the lock requiring Manager Key(s).
- b. Press **[C][0m][5][5]0m**. The LED will turn on.
- c. Touch the Programming Key to the key slot until a two-tone beep is heard.
- d. Touch each Manager Key to the key slot. A two-tone beep will be heard for each Manager Key that is successfully registered.
- e. Touch the Programming Key to the key slot until a two-tone beep is heard and the LED turns off.
- f. Repeat above steps for each lock or follow [Express Register Manager Key\(s\)](#) instructions to register the same Manager Key(s) to multiple locks.

For Lost or Stolen Keys

For a lost or stolen Programming Key:

A replacement Programming Key must be purchased and registered to the lock(s) to prevent the lost/stolen Programming Key from accessing/programming a lock.

For lost or stolen Manager Key(s):

All registered Manager Keys must be erased and only the remaining Manager Keys must be registered to the lock(s) to prevent the lost/stolen Manager Key from accessing a lock. Purchase additional Manager Key(s) from an authorized distributor.

- a. Collect all remaining Manager Key(s).
- b. Press **[C][0m][5][5]0m**. The LED will turn on.
- c. Touch the Programming Key to the key slot until a two-tone beep is heard.
- d. Touch the Programming Key to the key slot again until three sets of two-tone beeps are heard and the LED turns off. All previously registered Manager Key(s) are erased from the lock.
- e. Follow [Register/Add Manager Key\(s\)](#) instructions to register the remaining Manager Key(s).

Assign User Credential

Once a user credential is assigned, the previously assigned user credential will no longer operate the lock.

Assign a User Code (default user code = **[1][2][3][4]**):

- a. Press **[C][0m]** then touch a registered Manager Key to the key slot until the LED turns on.
- b. Press **[C]** [new 4-digit code] **[0m]**. A two-tone beep will be heard.
- c. To confirm, press **[C]** [the same 4-digit code] **[0m]**. Two sets of two-tone beeps will be heard and the LED will turn off.

Assign a User Key:

- a. Press **[C][0m]** then touch a registered Manager Key to the key slot until the LED turns on.
- b. Touch a User Key to the key slot until a two-tone beep is heard and the LED turns off.

Operating Instructions

Operate with an assigned User Code

- To unlock: Press **[C]** [assigned 4-digit code] **[0]**.*
- To relock: Close the door.

Operate with an assigned User Key

- To unlock: Touch the assigned User Key to the key slot.
- To relock: Close the door.

Operate with a Registered Manager Key

- To unlock: Touch a registered Manager Key.
- To relock: Close the door.

Operate with a Registered Programming Key

- To unlock: Press **[C]****[0]** then touch the Programming Key to the key slot.
- To relock: Close the door.

* The lock will go into "Sleep Mode" (keypad is disabled) after 3 consecutive incorrect user code entries.

Support

Sleep Mode

After three consecutive incorrect User Code entries to unlock, the lock will go into “Sleep Mode” for one minute and for an additional minute for each subsequent incorrect entry. The keypad is disabled while in “Sleep Mode”.

Error Condition Indicator

10 rapid beeps:

The lock is binding which means that either door alignment or items in the locker are preventing the lock from operating. Press on the door while operating the lock. If error condition persists, contact Digilock support for assistance.

2 sets of three beeps:

The batteries are low. Replace the batteries.

1 beep:

The lock does not recognize the User Code, User Key, Programming Key, or Manager Key.

Does not Unlock with the User Code or User Key

The lock does not recognize the User Code or User Key. For immediate access, operate with a registered Manager Key. Follow [Assign User Credential](#) instructions to assign a new User Code or User Key to the lock.

Does not operate with a Manager Key

The lock does not recognize the Manager Key. Follow Register/Add Manager Key(s) instructions to register the Manager Key to the lock. For immediate access, operate with another registered Manager Key or with the Programming Key.

Does not operate with the Programming Key

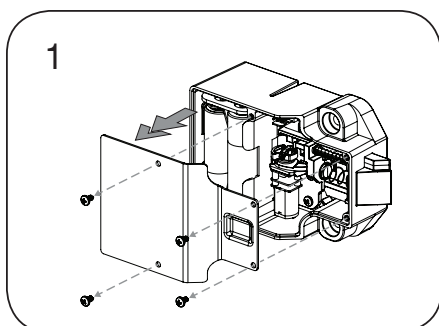
The lock does not recognize the Programming Key. Contact Digilock support.

No Audible Feedback when **C** is Pressed

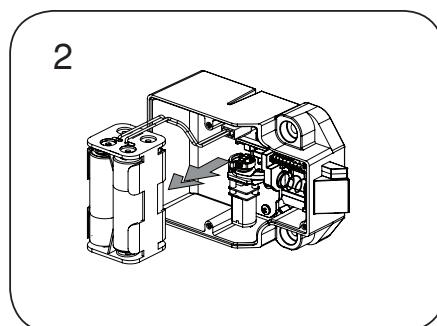
- The lock may be in “Sleep Mode”. For immediate access, operate with a registered Manager Key.
- The batteries may need to be replaced. Operate with the Manager Key to unlock then replace the batteries.
- The front unit may not be properly connected to the rear unit. Remove the lock from the door and check the cable connection.
- If error condition persists, contact Digilock support.

Battery Replacement

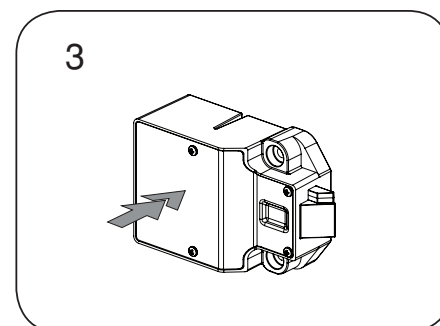
It is not necessary to uninstall the lock from the door.



Remove the screws and the cover plate.



Pull the battery pack from the rear housing. Replace with four premium alkaline AA batteries.

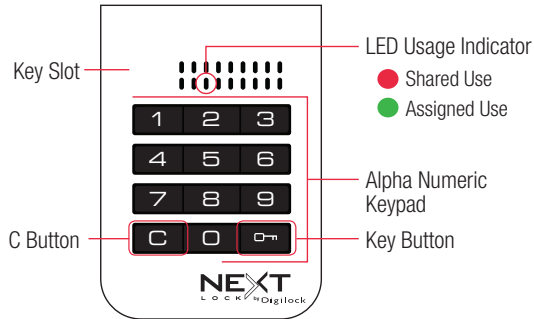


Place the battery pack back into the rear housing and screw cover plate in place.

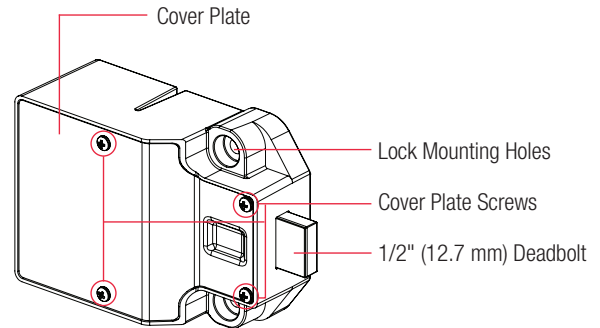
CUE is a keypad lock designed to operate for shared or assigned use applications. In shared use functionality, the user chooses any available locker and enters a self-selected 4-digit code to lock and the same code to later unlock. Once unlocked, the locker is available for a different user. In assigned use functionality, the user is assigned a specific locker and a 4-digit code to operate the lock. Owner and Manager Codes provide management access and inspection.

Lock Parts

Front Unit



Rear Unit



Codes

	4-digit User Code	5-digit Manager Code	6-digit Owner Code
Operates the lock	•	•	•
Overrides user access		•	•
Allows management inspection		•	•
Programs Manager Code		•	•
Programs Owner Code			•
Assigns User Code		•	
Sets lock functionality			•

Default Settings

New locks operate with the default Owner and Manager Codes. A new Owner and Manager Code must be programmed on the lock to prevent the default codes from operating the lock.

Functionality = Shared Use

Owner Code = [1] [2] [3] [4] [5] [6]

Manager Code = [1] [2] [3] [4] [5]

Programming Instructions

Program a New 6-digit Owner Code

The Owner Code can only be programmed by using the current Owner Code.

- Press **[C][0][0]** [current Owner Code] **[0][0]**. A two-tone beep will be heard and the LED will turn on.
- Press **[C]** [new Owner Code] **[0][0]**. A two-tone beep will be heard.
- To confirm, press **[C]** [the same new Owner Code] **[0][0]**. Two sets of two-tone beeps will be heard and the LED will turn off.

Program a New 5-digit Manager Code

To Program the Manager Code by using the Owner Code:

- Press **[C][0][0]** [Owner Code] **[0][0]**. A two-tone beep will be heard and the LED will turn on.
- Press **[C]** [new Manager Code] **[0][0]**. A two-tone beep will be heard.
- To confirm, press **[C]** [the same new Manager Code] **[0][0]**. Two sets of two-tone beeps will be heard and the LED will turn off.

To Program the Manager Code by using the current Manager Code:

- Press **[C][0][0]** [current Manager Code] **[0][0]**. A two-tone beep will be heard and the LED will turn on.
- Press **[C]** [new Manager Code] **[0][0]**. A two-tone beep will be heard.
- To confirm, press **[C]** [the same new Manager Code] **[0][0]**. Two sets of two-tone beeps will be heard and the LED will turn off.

Set Lock Functionality

Each lock can be set for either shared or assigned use functionality. The default functionality is shared use. Press **[C]** to check functionality. If in shared use, LED is red. If in assigned use, LED is green.

Set lock for assigned use functionality:

- Press **[C][0][0]** [Owner Code] **[0][0]**. The LED will turn on.
- Press **[C][6][5][0][0]**. Two sets of two-tone beeps will be heard and the LED will flash twice.
- Follow [Assign User Code](#) instructions to assign a User Code to operate the lock.

Set lock for shared use functionality:

- Press **[C][0][0]** [Owner Code] **[0][0]**. The LED will turn on.
- Press **[C][5][6][0][0]**. Two sets of two-tone beeps will be heard and the LED will flash twice.

Auto Unlock (for shared use functionality only)

When in shared use functionality, each lock can be programmed to auto unlock after a set number of hours. The default setting is OFF (does not auto unlock).

To turn on Auto Unlock:

- Press **[C][0][0]** [Owner Code] **[0][0]**. A two-tone beep will be heard and the LED will turn on.
- Press **[C][9][5][0][0]**. A two-tone beep will be heard.
- Set the number of hours: Press **[1]** - **[9][9][0][0]**. Two sets of two-tone beeps will be heard and the LED will turn off.
For example: Press **[4][0][0]** to set the lock to auto unlock after 4 hours.

To turn off Auto Unlock:

- Press **[C][0][0]** [Owner Code] **[0][0]**. A two-tone beep will be heard and the LED will turn on.
- Press **[C][9][4][0][0]**. Two sets of two-tone beeps will be heard and the LED will turn off.

LED Usage Indicator (for shared use functionality only)

When in shared use functionality, each lock can be programmed to have the LED flash or not flash while the lock is in use. The default setting is ON (red LED flashes while lock is in use).

To turn off the LED Usage Indicator:

- Press **[C][0][0]** [Owner Code] **[0][0]**. A two-tone beep will be heard and the LED will turn on.
- Press **[C][9][2][0][0]**. A two-tone beep will be heard and the LED will turn-off.

To turn on the LED Usage Indicator:

- Press **[C][0][0]** [Owner Code] **[0][0]**. A two-tone beep will be heard and the LED will turn on.
- Press **[C][9][1][0][0]**. A two-tone beep will be heard and the LED will turn-off.

Assign User Code (for assigned use functionality only)

Make sure that the lock is set for assigned use functionality. Once a User Code is assigned, the previously assigned User Code will no longer operate the lock.

Assign a User Code (default User Code = 1|2|3|4):

- a. Press **[C]****[0M]** [Manager Code] **[0M]**. A two-tone beep will be heard and the LED will turn on.
- b. Press **[C]** [new User Code] **[0M]**. A two-tone beep will be heard.
- c. To confirm, press **[C]** [the same new User Code] **[0M]**. Two sets of two-tone beeps will be heard and the LED will turn off.

Operating Instructions

Operate with a User Code

For assigned use functionality:

- To unlock: Press **[C]** [assigned 4-digit code] **[0M]***
- To relock: Press **[C]****[0M]****[0M]**.

For shared use functionality:

- To lock: Press **[C]** [any 4-digit code] **[0M]**.
- To unlock: Press **[C]** [the same 4-digit code] **[0M]***

Operate with a Registered Manager Code

- To lock and unlock: Press **[C]** [Manager Code] **[0M]****.

Operate with a Registered Owner Code

- To lock and unlock: Press **[C]** [Owner Code] **[0M]****.

* The lock will go into "Sleep Mode" (keypad is disabled for 1 minute) after 3 consecutive incorrect entries.

** If the Owner Code or Manager Code is used to unlock and then relock, the previous User Code will continue to operate the lock.

Support

Sleep Mode

After three consecutive incorrect User Code entries to unlock, the lock will go into “Sleep Mode” for one minute and for an additional minute for each subsequent incorrect entry. The keypad is disabled while in “Sleep Mode”.

Error Condition Indicator

10 rapid beeps:

The lock is binding which means that either door alignment or items in the locker are preventing the lock from operating. Press on the door while operating the lock. If error condition persists, contact Digilock support for assistance.

2 sets of three beeps:

The batteries are low. Replace the batteries.

1 beep:

The lock does not recognize the User Code, Manager Code, or Owner Code.

Does not Unlock with the User Code

The lock does not recognize the User Code. For access, operate with the Manager Code. If in assigned use functionality, follow Assign User Code instructions to assign a new User Code to the lock.

Does not operate with a Manager Code

The lock does not recognize the Manager Code. Follow instructions to Program a New Manager Code by using the Owner Code. For access, operate with the Owner Code.

Does not operate with the Owner Code

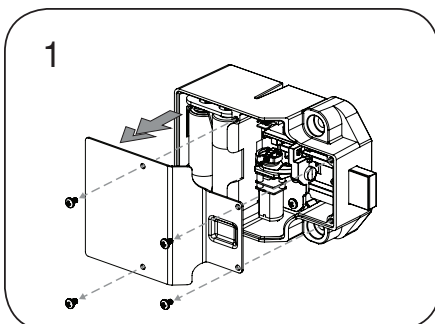
The lock does not recognize the Owner Code. Contact Digilock support.

No Audible Feedback when **C** is Pressed

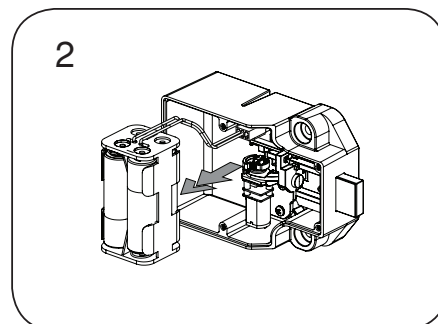
- The lock may be in “Sleep Mode”. The keypad is disabled for one minute while in sleep mode.
- The batteries may need to be replaced.
- The front unit may not be properly connected to the rear unit. Remove the lock from the door and check the cable connection.
- If error condition persists, contact Digilock support.

Battery Replacement

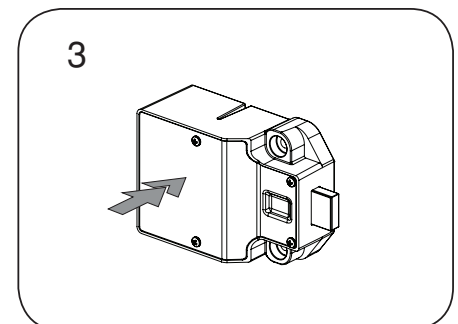
It is not necessary to uninstall the lock from the door.



1 Remove the screws and the cover plate.



2 Pull the battery pack from the rear housing. Replace with four premium alkaline AA batteries.

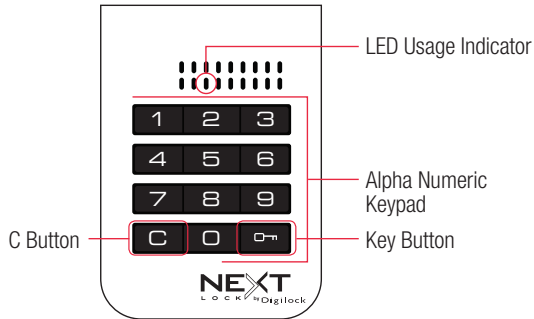


3 Place the battery pack back into the rear housing and screw cover plate in place.

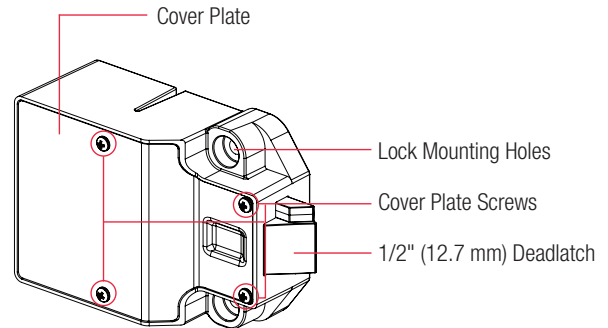
CUE is a keypad lock designed to operate for assigned use applications. In assigned use functionality, the user is assigned a specific locker and a 4-digit code to operate the lock. Owner and Manager Codes provide management access and inspection.

Lock Parts

Front Unit



Rear Unit



Codes

	4-digit User Code	5-digit Manager Code	6-digit Owner Code
Operates the lock	•	•	•
Overrides user access		•	•
Allows management inspection		•	•
Programs Manager Code		•	•
Programs Owner Code			•
Assigns User Code		•	

Default Settings

New locks operate with the default Owner and Manager Codes. A new Owner and Manager Code must be programmed on the lock to prevent the default codes from operating the lock.

Functionality = Assigned Use

Owner Code = 1 2 3 4 5 6

Manager Code = 1 2 3 4 5

User Code = 1 2 3 4

Programming Instructions

Program a New 6-digit Owner Code

The Owner Code can only be programmed by using the current Owner Code.

- Press **[C][0M]** [current Owner Code] **[0M]**. A two-tone beep will be heard and the LED will turn on.
- Press **[C]** [new Owner Code] **[0M]**. A two-tone beep will be heard.
- To confirm, press **[C]** [the same new Owner Code] **[0M]**. Two sets of two-tone beeps will be heard and the LED will turn off.

Program a New 5-digit Manager Code

To Program the Manager Code by using the Owner Code:

- Press **[C][0M]** [Owner Code] **[0M]**. A two-tone beep will be heard and the LED will turn on.
- Press **[C]** [new Manager Code] **[0M]**. A two-tone beep will be heard.
- To confirm, press **[C]** [the same new Manager Code] **[0M]**. Two sets of two-tone beeps will be heard and the LED will turn off.

To Program the Manager Code by using the current Manager Code:

- Press **[C][0M]** [current Manager Code] **[0M]**. A two-tone beep will be heard and the LED will turn on.
- Press **[C]** [new Manager Code] **[0M]**. A two-tone beep will be heard.
- To confirm, press **[C]** [the same new Manager Code] **[0M]**. Two sets of two-tone beeps will be heard and the LED will turn off.

Assign User Code

Once a User Code is assigned, the previously assigned User Code will no longer operate the lock.

Assign a User Code (default user code = **[1][2][3][4]):**

- Press **[C][0M]** [Manager Code] **[0M]**. A two-tone beep will be heard and the LED will turn on.
- Press **[C]** [new User Code] **[0M]**. A two-tone beep will be heard.
- To confirm, press **[C]** [the same new User Code] **[0M]**. Two sets of two-tone beeps will be heard and the LED will turn off.

Operating Instructions

Operate with an Assigned User Code

- To unlock: Press **[C]** [assigned 4-digit code] **[0M]**.*
- To relock: Close the door.

Operate with the Manager Code

- To unlock: Press **[C]** [Manager Code] **[0M]**.
- To relock: Close the door.

Operate with a Registered Owner Code

- To unlock: Press **[C]** [Owner Code] **[0M]**.
- To relock: Close the door..

* The lock will go into "Sleep Mode" (keypad is disabled for 1 minute) after 3 consecutive incorrect entries.

Support

Sleep Mode

After three consecutive incorrect User Code entries to unlock, the lock will go into “Sleep Mode” for one minute and for an additional minute for each subsequent incorrect entry. The keypad is disabled while in “Sleep Mode”.

Error Condition Indicator

10 rapid beeps:

The lock is binding which means that either door alignment or items in the locker are preventing the lock from operating. Press on the door while operating the lock. If error condition persists, contact Digilock support for assistance.

2 sets of three beeps:

The batteries are low. Replace the batteries.

1 beep:

The lock does not recognize the User Code, Manager Code, or Owner Code.

Does not Unlock with the User Code

The lock does not recognize the User Code. For access, operate with the Manager Code. Follow Assign User Code instructions to assign a new User Code to the lock.

Does not operate with a Manager Code

The lock does not recognize the Manager Code. Follow instructions to Program a New Manager Code by using the Owner Code. For access, operate with the Owner Code.

Does not operate with the Owner Code

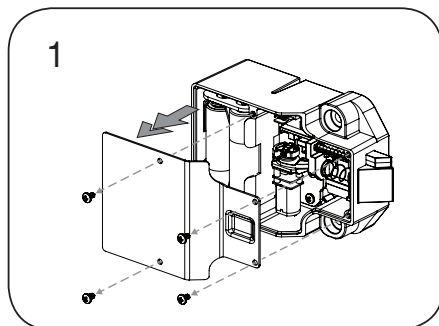
The lock does not recognize the Owner Code. Contact Digilock support.

No Audible Feedback when **C** is Pressed

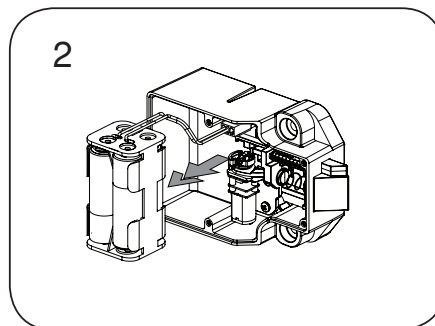
- The lock may be in “Sleep Mode”. The keypad is disabled for one minute while in sleep mode.
- The batteries may need to be replaced.
- The front unit may not be properly connected to the rear unit. Remove the lock from the door and check the cable connection.
- If error condition persists, contact Digilock support.

Battery Replacement

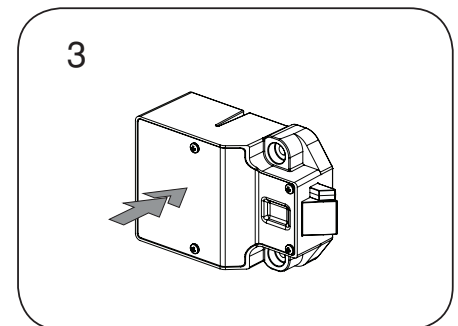
It is not necessary to uninstall the lock from the door.



Remove the screws and the cover plate.



Pull the battery pack from the rear housing. Replace with four premium alkaline AA batteries.



Place the battery pack back into the rear housing and screw cover plate in place.

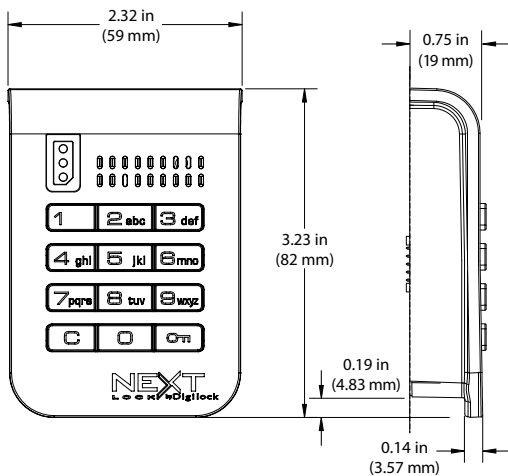


DRAWINGS & DIMENSIONS

- All metal housing
- Integrated pull handle
- Surface mount
- Motorized ½" (12mm) deadbolt
- Keypad operation
- Dual functionality (shared or assigned)
- Operates with a 4-digit user code
- Management access
- Tamper guard
- Visual & audible indicators
- Programmable automatic unlock
- Programmable usage indicator
- Powered by 4 premium AA batteries
- 3-5 year battery life
- 2- year product warranty



UKK-ADS

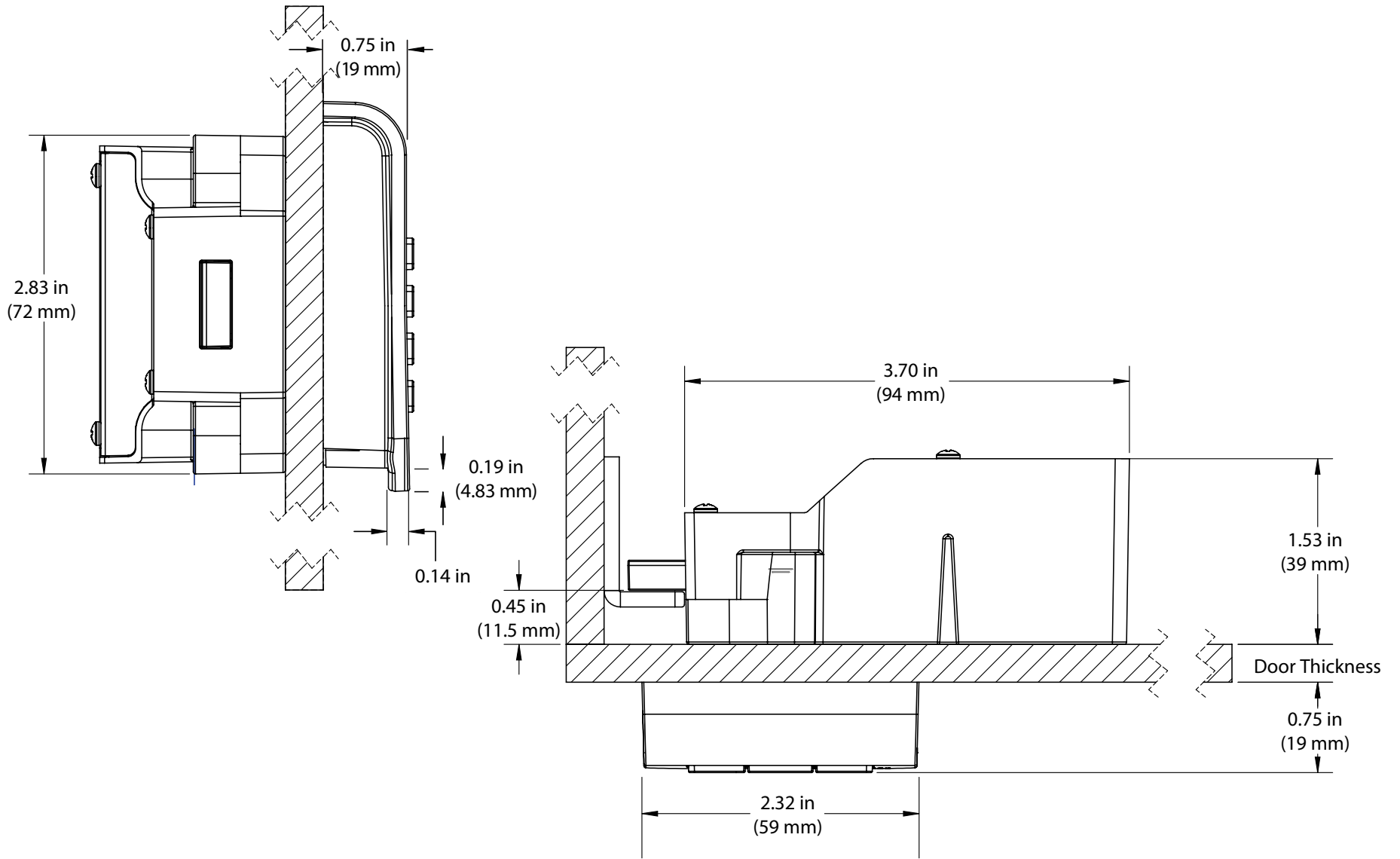


Brushed nickel or brass finish
Accommodates multiple door thickness

Programming Key with external power
Manager Key (up to 25) with external power
User Key
Strike plate

Accessories . Options

side view



top view



Keypad locks with an integrated pull handle operated with a User Key are fully compliant with the Americans with Disabilities Act (ADA) guidelines set by the U.S. Access Board. All NextLock models can be operated with a User Key to meet compliance guidelines.

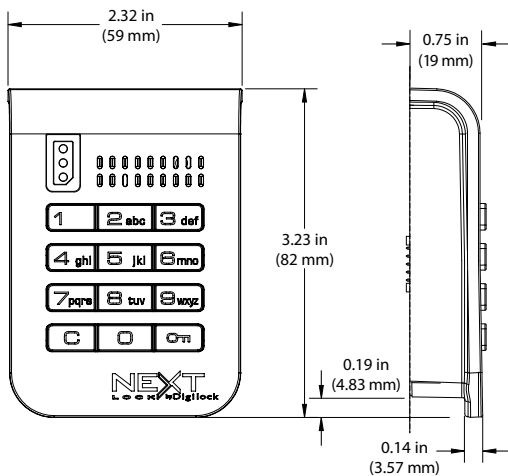


- All metal housing
- Integrated pull handle
- Surface mount
- Motorized 1/2" (12mm) deadlatch
- Keypad operation
- Assigned use functionality
- Operates with a 4-digit user code
- Management access
- Tamper guard
- Visual & audible indicators
- Powered by 4 premium AA batteries
- 3-5 year battery life
- 2- year product warranty

Key Managed
Latch Mechanism



UKK-APS

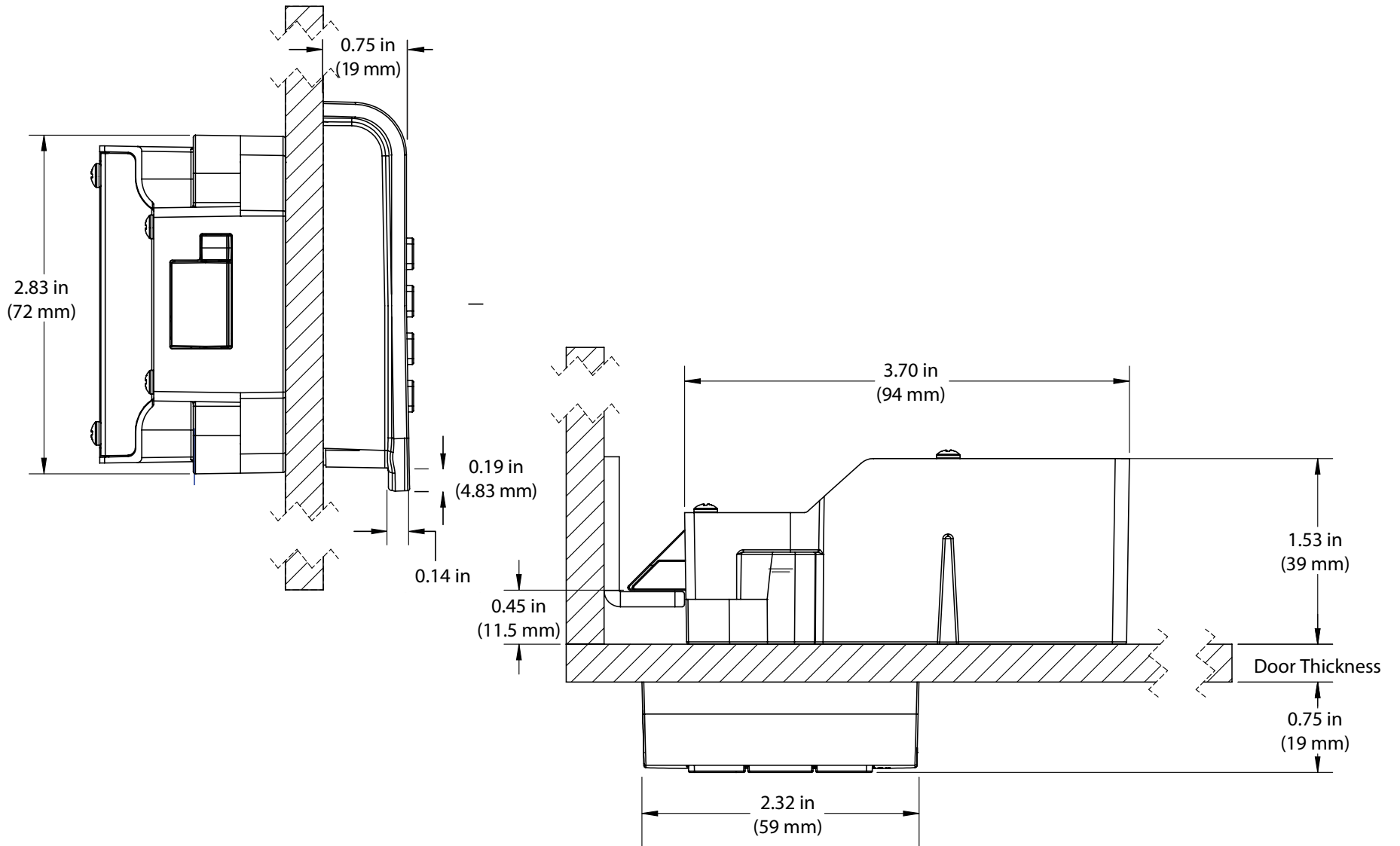


Brushed nickel or brass finish
Accommodates multiple door thickness

- Programming Key with external power
- Manager Key (up to 25) with external power
- User Key
- Strike plate

Accessories . Options

side view



top view



Keypad locks with an integrated pull handle operated with a User Key are fully compliant with the Americans with Disabilities Act (ADA) guidelines set by the U.S. Access Board. All NextLock models can be operated with a User Key to meet compliance guidelines.



- All metal housing
- Integrated pull handle
- Surface mount
- Motorized 1/2" (12mm) deadbolt
- Keypad operation
- Dual functionality (shared or assigned)
- Operates with a 4-digit user code
- Management access
- Tamper guard
- Visual & audible indicators
- Programmable automatic unlock
- Programmable usage indicator
- Powered by 4 premium AA batteries
- 3-5 year battery life
- 2- year product warranty

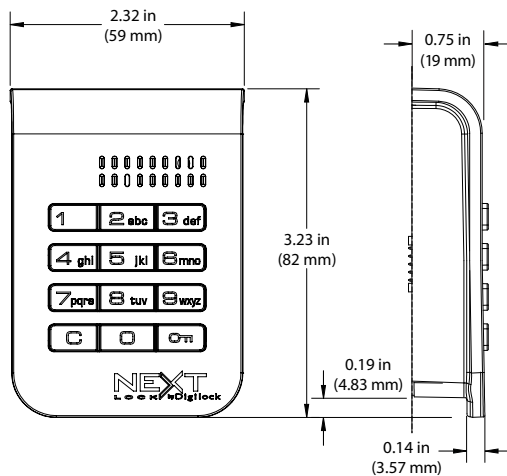
Code Managed
Bolt Mechanism

CUE®

NEXT
LOCK by Digilock®



UKC-ADS

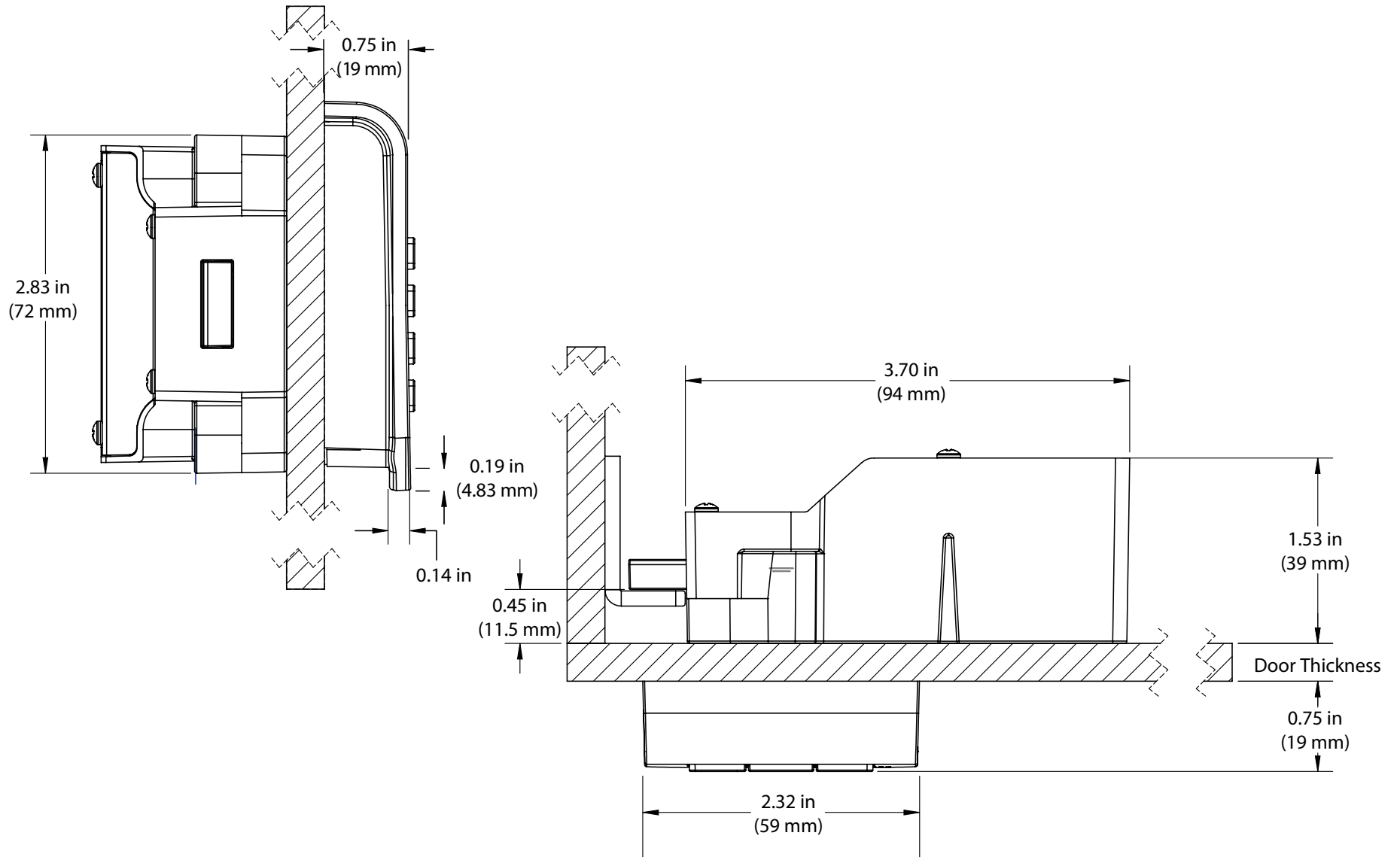


Brushed nickel or brass finish
Accommodates multiple door thickness

Power jumper
Strike plate

Accessories . Options

side view



top view

- All metal housing
- Integrated pull handle
- Surface mount
- Motorized 1/2" (12mm) deadlatch
- Keypad operation
- Assigned use functionality
- Operates with a 4-digit user code
- Management access
- Tamper guard
- Visual & audible indicators
- Powered by 4 premium AA batteries
- 3-5 year battery life
- 2- year product warranty

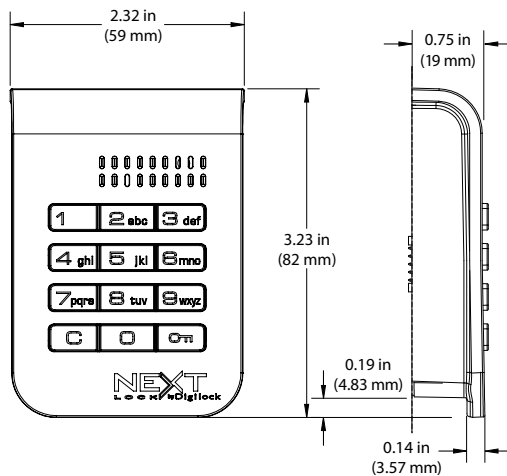
Code Managed
Latch Mechanism

CUE®

NEXT
LOCK by Digilock®



UKC-APS

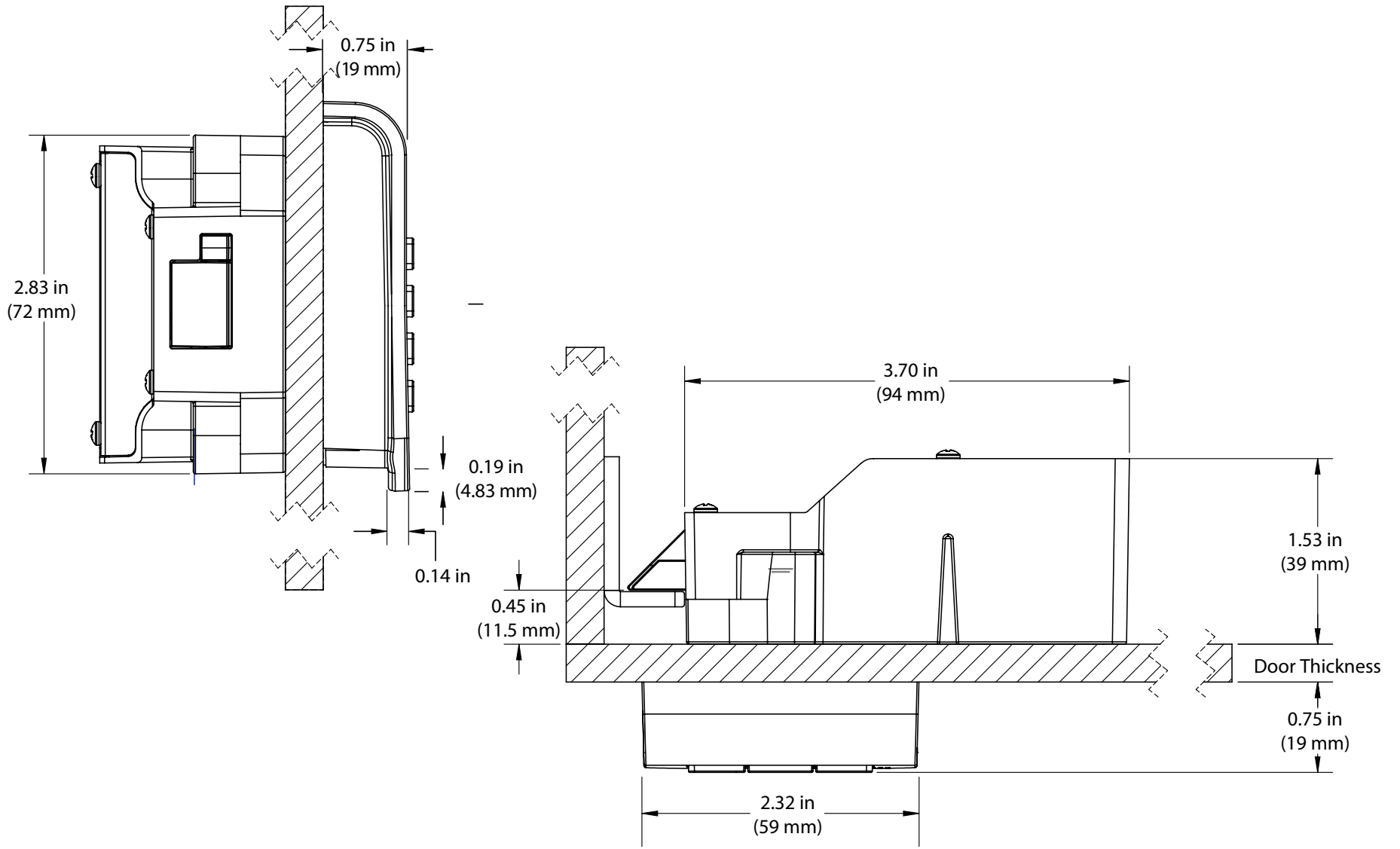


Brushed nickel or brass finish
Accommodates multiple door thickness

Power jumper
Strike plate

Accessories . Options

side view



top view



NEXT
LOCK by Digilock®

CUE® Installation Guide

Cue front unit (code and key)
Cue rear unit (latch & bolt)



Before Lock Installation 3

Surface Mount Installation 4

 For door thickness measuring between .01" - .91" (0.2 mm - 23 mm) 4

 Required Components 4

 Installation 5-6

Door Preparation 8

 Strike Plate Installation 8

 Required Components 8

 Installation 4

 Door Mounting Holes Drill Instructions and Templates 9

 Drill Instructions 9

 Template for Standard & Vertical Body 10

 Metal Door Preparation 11

 Compatibility Guide 11

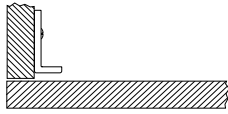
 Removal of 3-hole Lock Plug 12

 Removal of Padlock Hasp 13

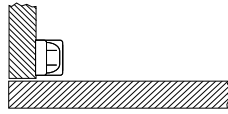
Before Lock Installation

The door must be prepared for lock installation.

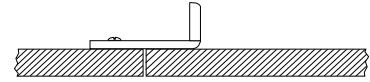
1. **Strike Plate** A strike plate must be installed.



Angled Strike Plate

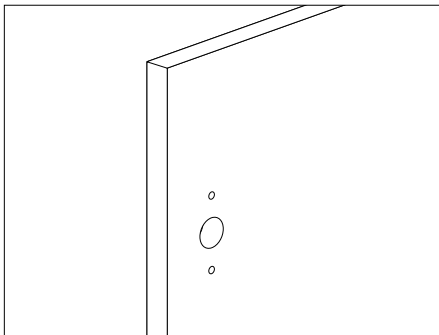


Security Strike Plate



Double Door Strike Plate

2. **Door Mounting Holes** The door must have door mounting holes.

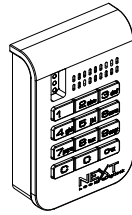


Surface Mount Installation

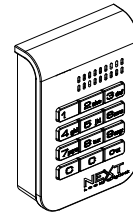
For door thickness measuring between .01" - .91" (0.2 mm - 23 mm)

Required Components

1 - Front Unit

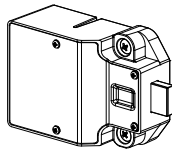


Key Managed

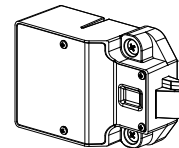


Code Managed

1 - Rear Unit



Deadbolt



Deadlatch

2 - Phillips Head Screws



2 - Split Lock Washers



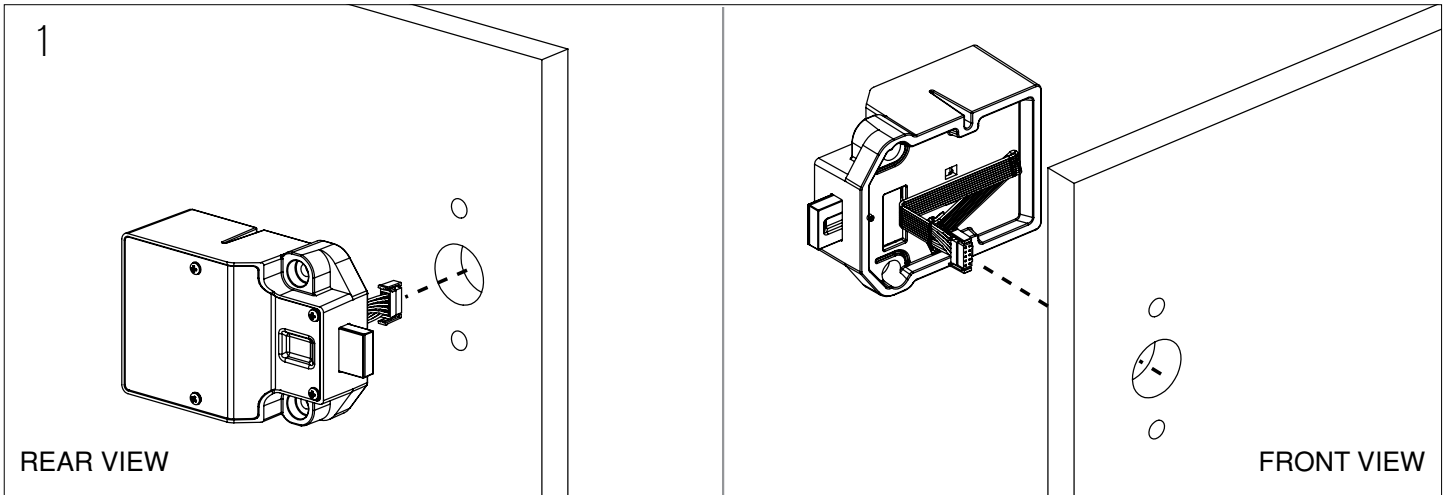
1* - Phillips Head Screwdriver (#2)



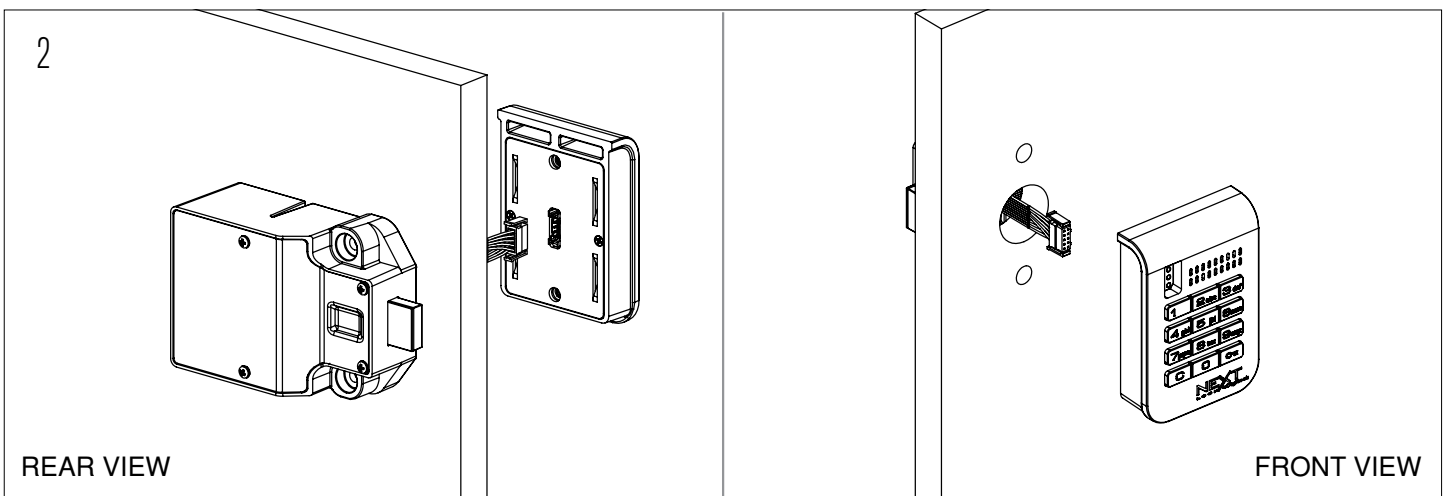
*Not included

Installation

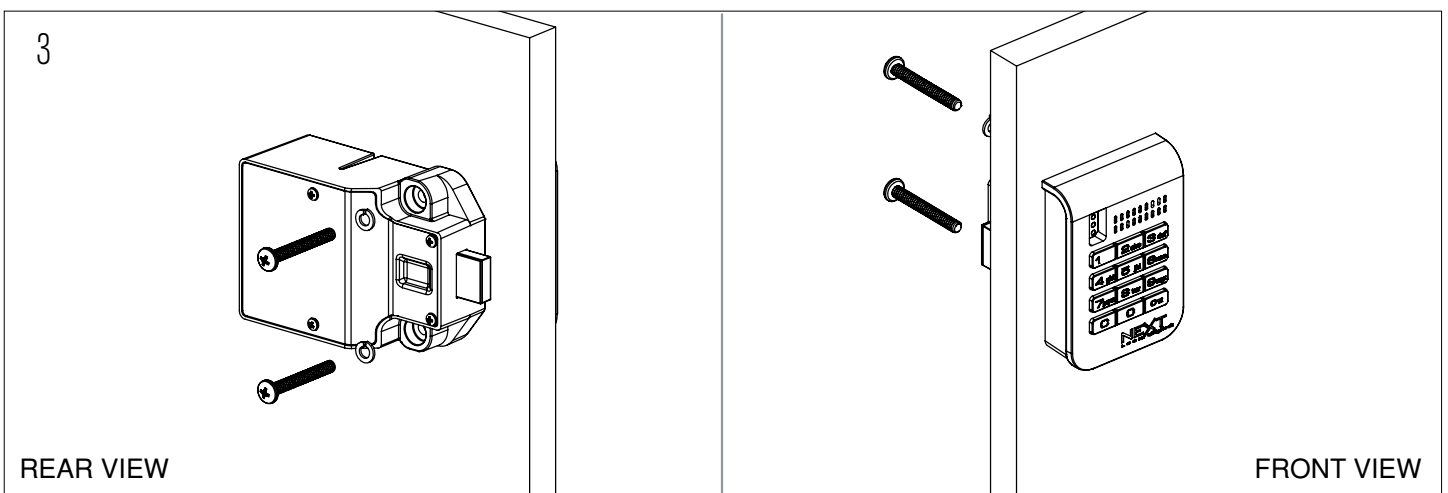
For illustration, a bolt rear unit is used.



With the rear unit behind the door, extend the cable through the door's mounting hole.

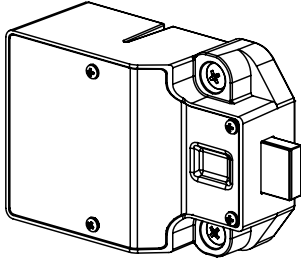


Attach the cable to the front unit. A triple beep indicates successful connection.

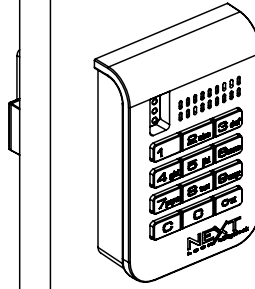


Hold the front and rear units against the door and secure with the mounting screws.

4



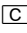

REAR VIEW


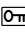


FRONT VIEW



Test the lock while the door is open.

For bolt units:

Press   to extend the bolt.

Press   again to retract the bolt

For latch units:

Press   to retract the latch

Latch will extend automatically after approximately 6 seconds.

Repeat test with the door closed.

If ten rapid beeps are heard, the strike plate or door alignment may need adjustment to allow the lock to operate properly.

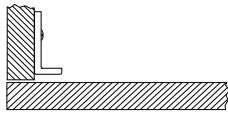
Door Preparation

Strike Plate Installation

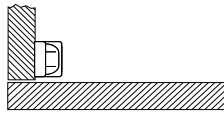
Required Components

Strike Plate

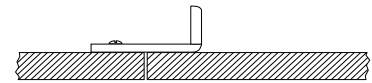
1. A strike plate must be installed.



Angled Strike Plate

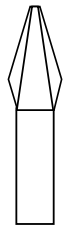


Security Strike Plate



Double Door Strike Plate

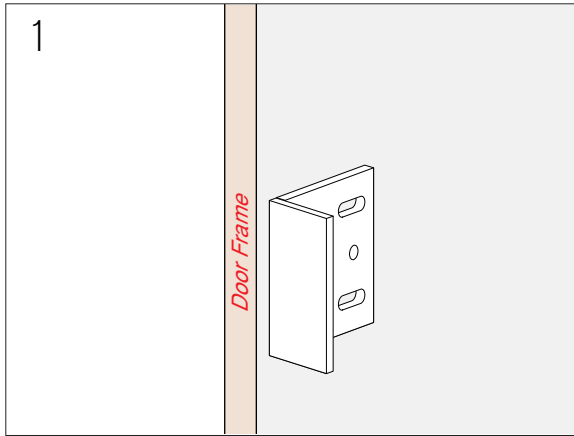
1* - Phillips Head Screwdriver (#1)



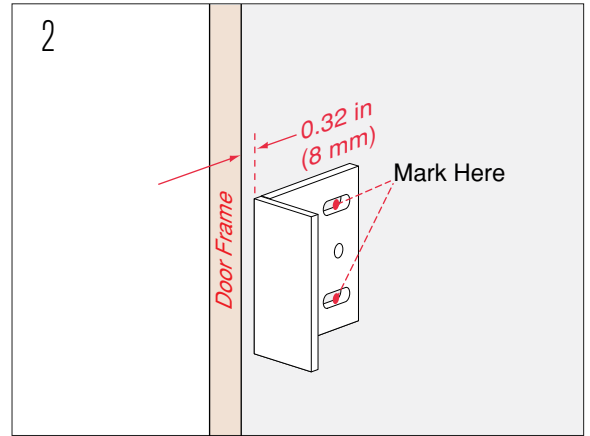
*Not included

Do not use an electric screw gun unless it is equipped with a torque adjuster and is set to low.

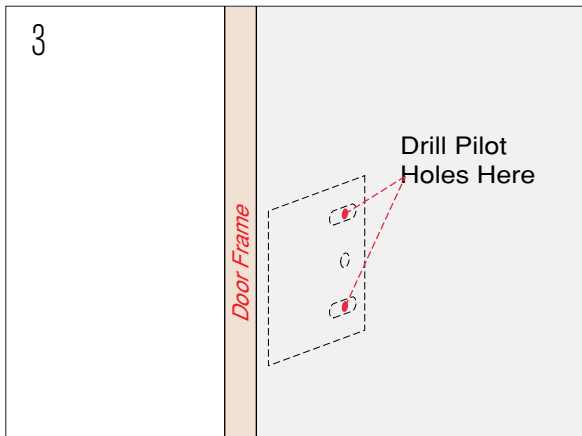
Installation



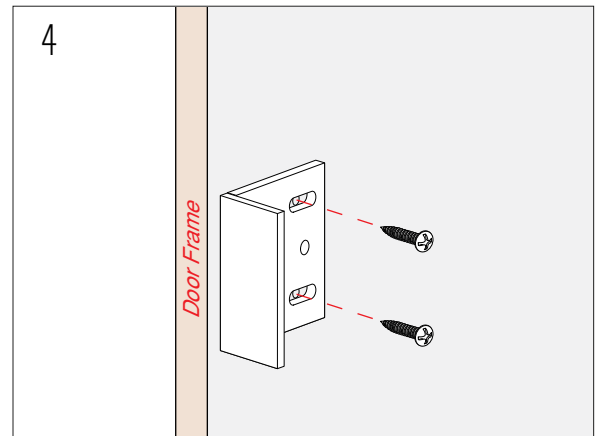
1
Position the strike plate on the door frame centering it with the center of the desired location of the door mounting holes.



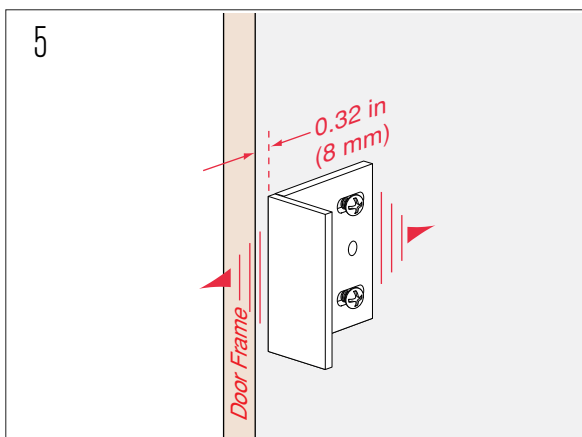
2
Allow .32" (8 mm) from door edge and mark the position of the adjustment slot holes.



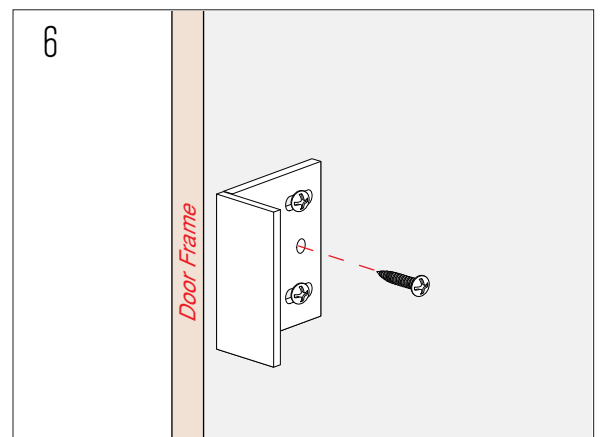
3
Drill 0.25" (6.35 mm) pilot holes using a 1/6" drill bit.



4
Position the strike plate and the self tapping screws into the adjustment slot holes. Do not tighten the screws.



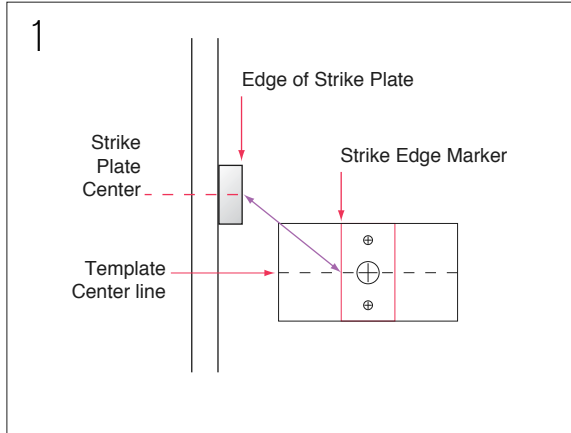
5
Adjust the strike plate to the proper position (.32" (8 mm) from the door edge) then tighten the self tapping screws.



6
Position and tighten the remaining self tapping screw into the center hole.

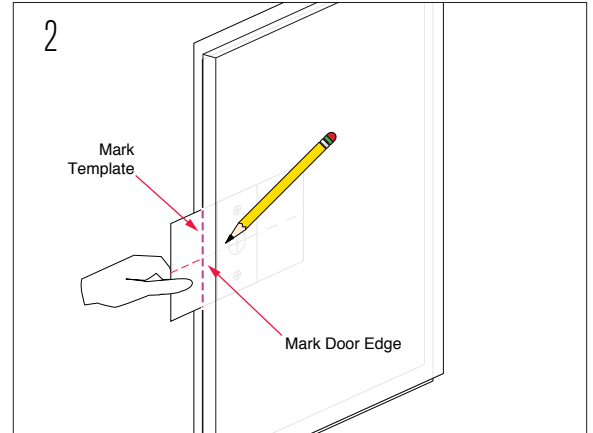
Door Mounting Holes Drill Instruction and Template

Drill Instructions

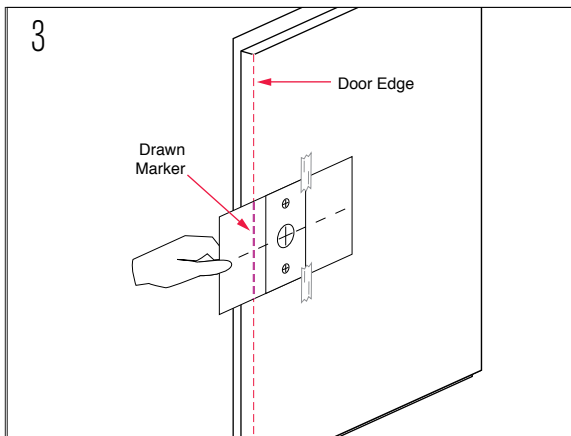


Align both the center line and strike plate edge of the installed strike plate.

Hold the template in place and close the door.



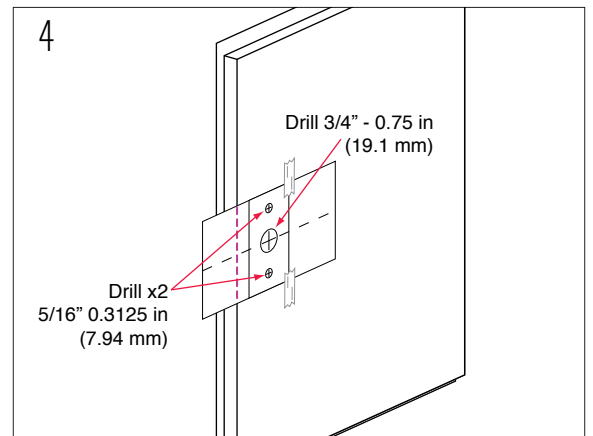
Mark the edge of the door on the template. Mark the center line of the template on the edge of the door.



Place the template on the front of the door.

Align the edge of the door with the mark on the template, and then align the center line of the template with the mark on the door.

Secure the template with removable tape.



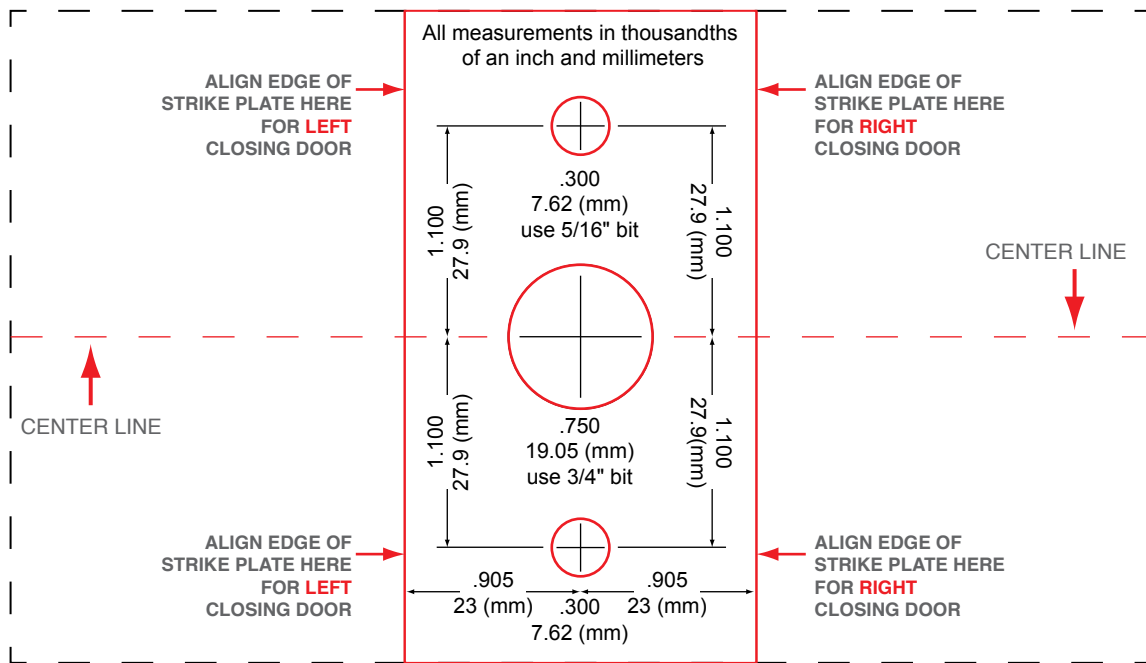
Mark the center point of the three door mounting drill holes on the front of the door.

Use the drill bits specified on the template to drill appropriately sized door mounting holes.

Template for Door Mounting Holes

Templates may not print to scale. Check all measurements before proceeding.

!! Before printing, turn off auto scaling in printer setup and print at 100%. !!

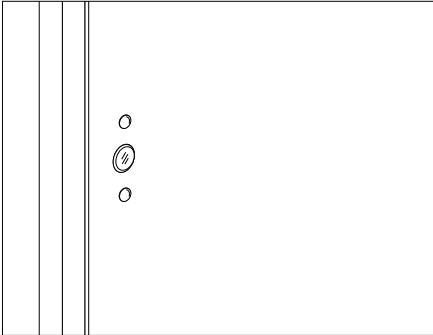


Metal Door Preparation

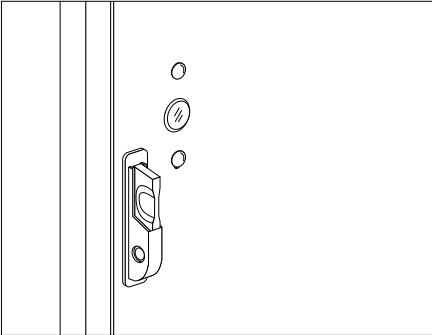
Compatibility Guide

Digilock is compatible with a majority of 3-hole configuration, latch, and handle door types. Some doors may require modification to clear obstructions.

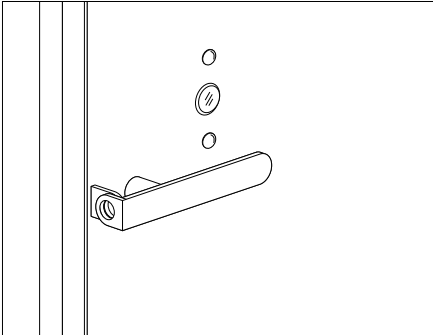
Single Point Latch



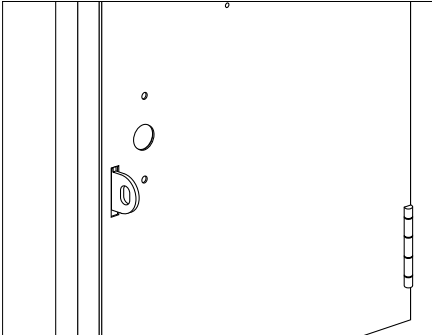
Standard Lift



Handle



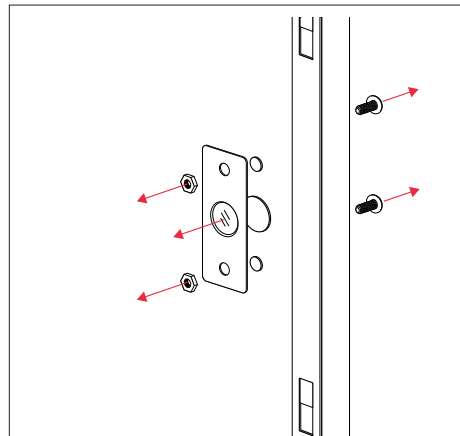
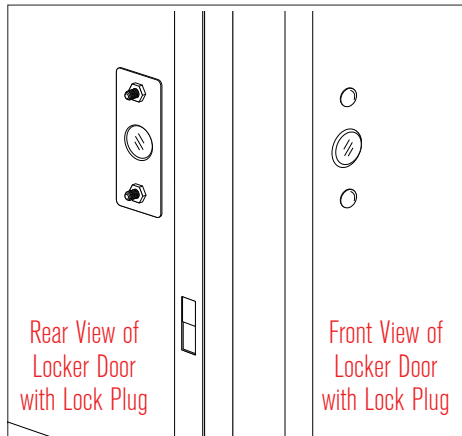
Box Locker Padlock Hasp



Removal of 3-hole Lock Plug

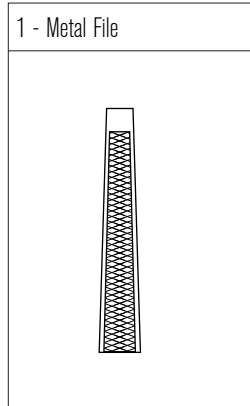
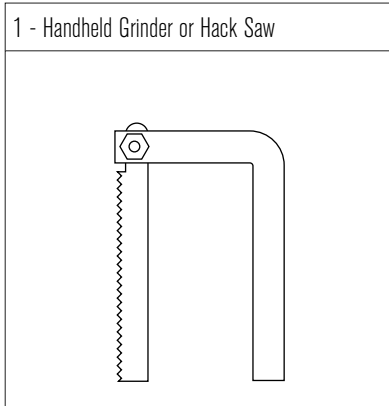
Remove any obstructions to the door mounting holes.

Example 1



Removal of Padlock Hasp

The padlock hasp must be removed



Close the door and make sure that nothing is protruding above the surface of the door.

Open the door then cut the padlock hasp on the marked cut-line.

Close the door and mark the area to cut the padlock hasp.

Example 1

