

powered by

SAUNACORE

HOT ROCK SAUNA ASSEMBLY DATA SHEET

PAGE 1 OF 4

STANDARD HD - COMMERCIAL HEATER ASSEMBLY

Technical Details

Color:

Stainless Steel

Main Material:

Stainless Steel

Elements:

Industrial Grade Silver Solder Elements

Stone Sizes:

2-4"

Stone Amount:

Up to 150 lbs.

Dimension:

21" w x 31" h x 19" d

Power Output:

9,000 - 21,000 watts

Power Supply:

208/240/600v [1 or 3 phase]

Control Max Operating Temperature:

C 90°/194° F

Installation:

Floor Mount

Control:

SS1 24-Hour

Manufacturer:

Saunacore

CSA Certificate No.:

238443



DESIGN. PLAN. BUILD.

crq

SAUNA SYSTEMS

1875 North MacArthur Drive /// Tracy, CA 95376

T > 209 836 4100 F > 209 836 4131

crq.us.com

CRG.SAU[1]5:24

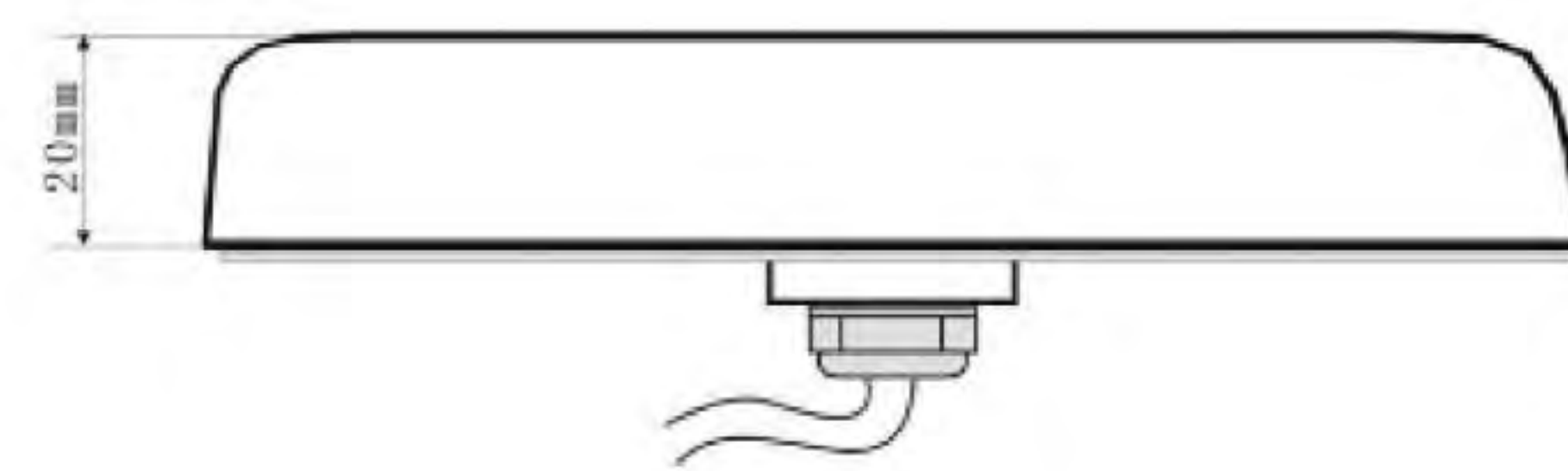
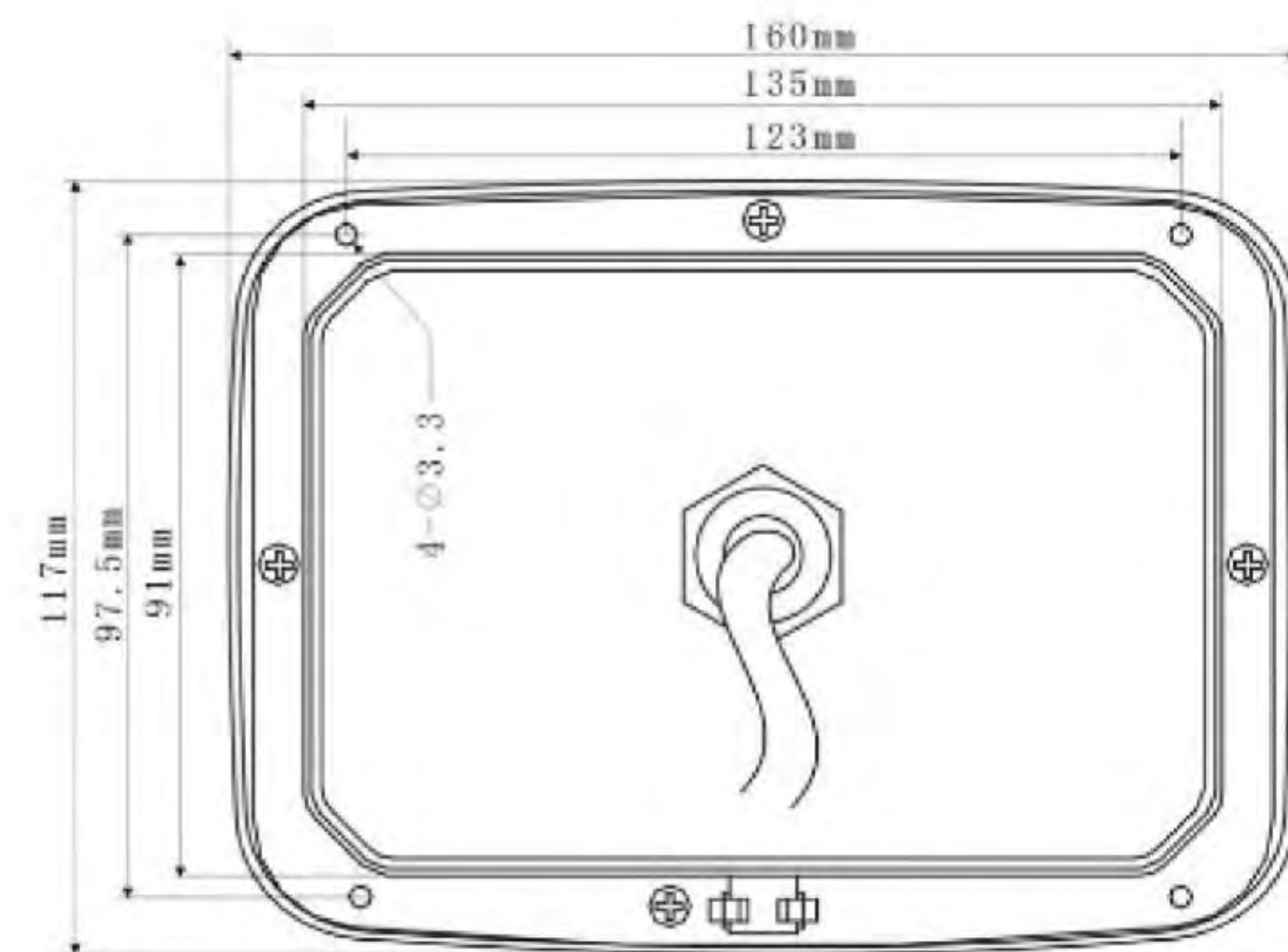
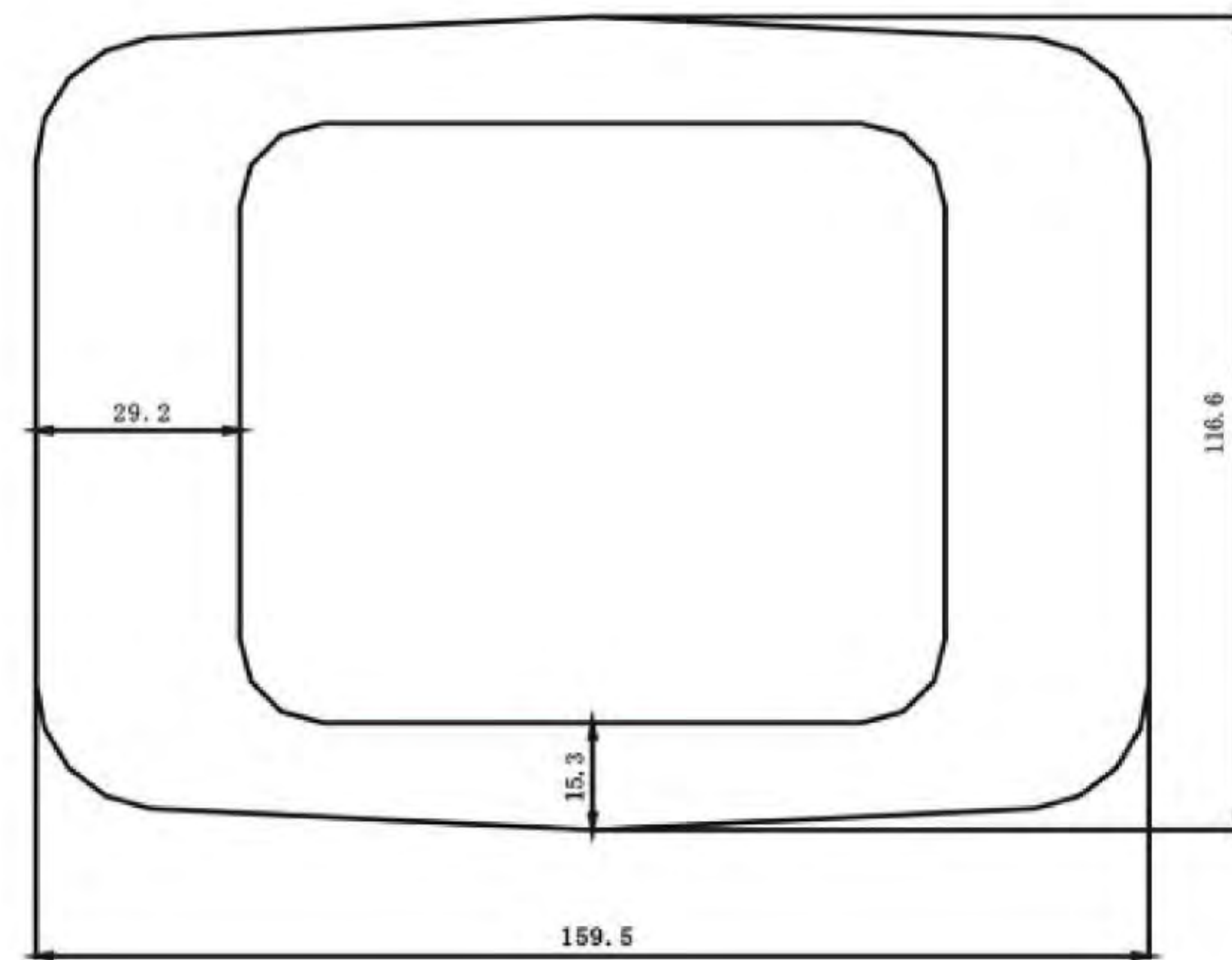
powered by

SAUNACORE

HOT ROCKS SAUNA CONTROL DATA SHEET

SS1 CONTROL UNIT/ for Hot Rocks

Includes 24/hour standby mode and timer. This is mounted in a controlled area for administrator use only. This must be turned on each day by staff.



DESIGN. PLAN. BUILD.



SAUNA SYSTEMS

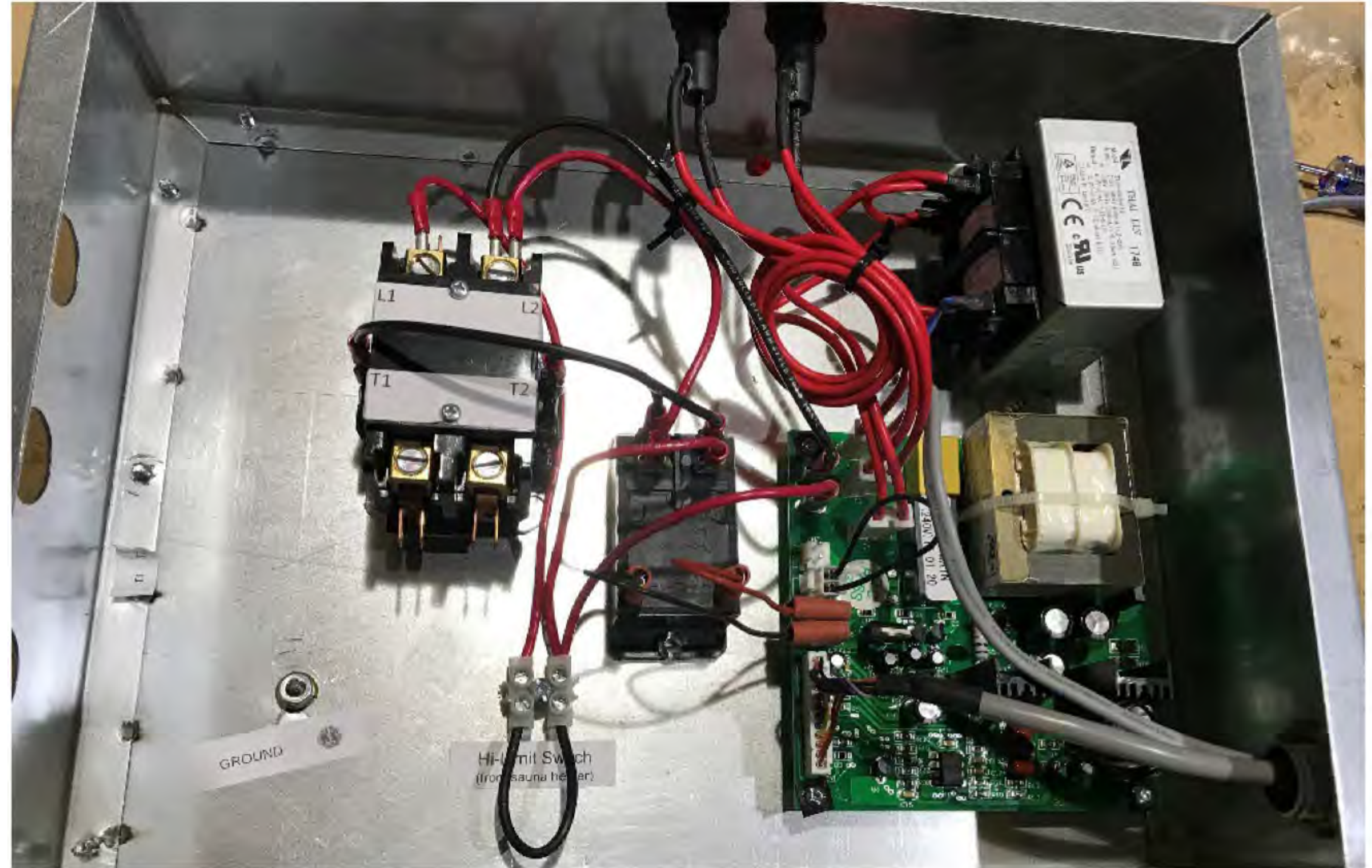
1875 North MacArthur Drive /// Tracy, CA 95376
T > 209 836 4100 F > 209 836 4131

crg.us.com

CRG.SAU[1]5:24

HOT ROCKS SAUNA ASSEMBLY DATA SHEET**HOT ROCKS HEATER ASSEMBLY*****Installation/Wiring Notes:***

- A preconfigured power control box is supplied. This box must be mounted with 50' of the sauna or a mechanical room and must be accessible for service.
- Power supply will be brought to this box and then distributed to the heater(s) (by others).
- The high-limit located in the bottom of the heater must be wired back to this box.
- The low voltage control keypad is connected by a 20', 13-pin shielded cable (provided). If the control is located further than 20' additional cables are required.
- The 12' temperature sensor from the back of the control keypad must be placed in the sauna 12"-18" to the side of the heater and 12"-18" from the ceiling. The temperature sensor can be extended up to 50' upon request.



Example – Versions will vary based on the application

HOT ROCKS SAUNA ASSEMBLY DATA SHEET

STANDARD HD - COMMERCIAL HEATER ASSEMBLY

Technical Details

Wattage	208 1 phase / 208 3 phase / 240 1 phase	Approximate Room Size
9,000 Watts	43.3 amps / 25 amps / 37.5 amps	450 cubic feet of room coverage
10,500 Watts	50.5 amps / 29.2 amps / 43.8 amp	525 cubic feet of room coverage
12,000 Watts	57.6 amps / 33.4 amps / 50 amps	600 cubic feet of room coverage
15,000 Watts	208 3 phase only - 41.8 Amps	750 cubic feet of room coverage
18,000 Watts	208 3 phase only - 50 amps	900 cubic feet of room coverage
21,000 Watts	208 3 phase only - 58.4 amps	1,050 cubic feet of room coverage

Note: Available in up to 600-volt power supply